

和谐诚信，引领腾飞

www.jxhy1111.com



江西宏艳电气有限公司

2023版



宏艳电气

### 江西宏艳电气有限公司

Jiangxi Hongyan Electric Co., Ltd.

地址：江西省宜春市袁州区府北路8号1-1111

邮编：336027

电话：17707956669

邮箱：jxhy1\_1111@163.com

Http://www.jxhy1111.com



网站二维码



微信二维码

未经本公司的同意，严禁转载此样本的图片和内容。  
规格等如有变更，恕不预先通告，敬请谅解。

# 江西宏艳电气有限公司

Jiangxi Hongyan Electric Co., Ltd.

## 关于我们

江西宏艳电气有限公司坐落于宜春红林世界城位于明月北路与府北路交界处，主要生产AE机箱、AK壁挂式机箱、ES独立式控制柜、PS并联式机柜、不锈钢机柜、PC电脑柜、机床悬臂系统、DC悬臂箱、DH、DF、DE操作箱；AP斜面操作台、机柜空调、GA铸铝盒、机柜灯等，涉及自动化过程控制如：工业设备变频群控系统，各类大功率电机群控软启动，电梯、锅炉变频控制系统，空调冷冻、冷却水泵、供水水泵变频群控系统等、楼宇BAS系统、电气装配OEM业务、电气成套系统硬件系统产品开发、制造、销售和工程技术服务的股份制高新技术企业。产品已广泛应用于电力、市政、水利、冶金、机械、化工等领域，为多项国家重点工程提供了具有国内领先技术水平的自动化系统产品。

宏艳电气拥有一支极具拓展力的优秀管理团队，荟集了生产管理、市场营销、技术开发、法律等各类高级人才。依托科学的现代企业经营管理理念、强大的科技开发力量、健全的全国营销网络和灵活有效的运营机制，宏艳电气实现了跨越式健康发展。公司将继续立足于国家重点基础产业，凭借强大的科技开发能力、准确的市场定位、领先的技术和知名的品牌，以市场需求为宗旨，销售为龙头，技术为保障，以先进的创新意识和前瞻性的经营理念，推动和引导中国电气自动化事业的发展。在同行企业中率先取得ISO9001质量体系认证，公司建立了完善的质量管理体系，确保从产品设计开发、原材料采购、零件加工、整机装配调试到产品出厂都能依照技术规范、标准、合同协议及法规的要求，使产品生产的全过程都处于受控之下。为应对全球环境人类赖以生存的环境，共同保护我们美好的家园。公司通过了CE认证确保了产品质量的可靠性。

宏艳电气核心价值观：“以客户为中心，以奋斗者为本”。企业愿景和战略目标：第一是要做国内价值价格比最高的机箱机柜公司；第二是成为世界级自动化产品的集成商；第三，成为国内最有竞争力的自动化公司之一，打造全国一流的自动化公司；本着“不断进取，永不满足”的精神、“以质取胜，以诚待人”的经营理念，用优良的产品和强大的技术支持及完善的售后服务，为更多的贸易商和直接用户提供完美的服务。我们愿与广大用户建立密切的合作，携手并进，共创明日辉煌。

## About Us

Jiangxi Hongyan Electric Co.,Ltd. is located in Yichun Honglin world city, at the junction of Mingyue North Road and Fubei road. the main production AE case, AK wall mounted chassis, ES independent control cabinet, PS parallel type cabinet, stainless steel cabinet, PC cabinet, computer machine cantilever system, DC, DH, DF cantilever box, DE box; AP slope operation table air conditioning, GA cast aluminum box, cabinet, cabinet lights, relates to an automatic process control such as: frequency group control system of industrial equipment, all kinds of large power motor soft start, boiler, elevator group control, frequency control system, air conditioning refrigeration, cooling water pump, water supply pump frequency group control systems, building BAS system, OEM service, electrical complete sets of electrical assembly the system hardware systems product development, manufacturing, sales and engineering and technical services of high-tech joint-stock enterprises. Products have been widely used in electric power, metallurgy, municipal, water conservancy, mechanical, chemical and other fields, provide product automation system has the leading domestic technology level for a number of national key project.

Excellent management team of Hongyan Electrical Co. Ltd. has a very expansion capacity, with production management, marketing, technology development, legal and other senior personnel. Relying on the national network of marketing science and modern enterprise management concept, strong technology development strength, National marketing network and perfect and flexible and effective operation mechanism, Hongyan Electric Company has realized the leap forward healthy development. The company will continue to be based on the national key basic industry, with strong technology development capability, accurate market positioning, leading technology and famous brand, take the market demand for the purpose, sales as a leader, technology security, with advanced awareness of innovation and forward-looking business philosophy, to promote and guide the career development China electrical automation. To obtain ISO9001 quality system certification in the peer companies, the company established a perfect quality management system, from product design and development, to ensure that the procurement of raw materials, spare parts processing, assembling and adjusting to product the factory can according to technical specifications, standards, contractual agreements and regulations requirements, make the whole production process in controlled under, In order to deal with the global environment for human survival environment, together to protect our beautiful homeland. The company passed the products have passed the CE certification to ensure the reliability of product quality.

Hongyan Electrical Co. Ltd. core values : "take the customer as the center, to fight for this." Enterprise vision and strategic objectives: the first is to do the domestic price ratio is the highest value of the chassis cabinet company; the second is to become integrators world-class automation products; third, one of China's most competitive automation company, build the first-class automation company; the "continuous improvement, never satisfied," the spirit of "quality win, treat people with sincerity" business philosophy, with excellent products and strong technical support and perfect after sale service, provide the perfect service for more traders and direct user. We wish to establish close cooperation with our customers, hand in hand, create brilliant tomorrow.



我们的制造规模

# Manufacture

- 先进的生产设备和工艺
- 专业的研发队伍
- Advanced production equipment and technology
- Professional R & D team



我们的服务

# Promises

## 销售服务流程 After-sales Service Flow

### 高效便利的标准化交易流程

您可以随时随地通过网络、邮件及24小时热线电话等与我们联系。我们的专业服务人员会第一时间为您提供服务。

邮件 : jxhy1\_1111@163.com 电话 : 17707956669

### High-efficiency and convenient

standardized transaction flow  
You can contact us at any time by network, mail or 24h hotline. Our professional service personnel will serve you immediately.

E-mail:jxhy1\_1111@163.com Tel:17707956669



## 我们的项目案例

# Our project case

北京奥运场馆监控系统  
Wuhan Iron and Steel  
上海宝钢  
上海卷烟厂  
上海东区水质净化厂  
上海东区污水处理厂  
上海天山水厂  
上海通用汽车  
上海浦东图书馆  
上海浦东国际机场  
上海大众汽车三厂  
上海江南造船厂  
上海振华起重机厂  
安徽芜湖汽车  
济南吉利汽车厂  
泰山核电  
包头第二热电厂  
重庆电厂-3配电柜  
新疆风力发电场  
柴窝堡风力发电场  
浙江嘉兴嘉爱斯热电厂  
浙江舟山船厂  
江苏金陵船厂

Monitoring System for Beijing Olympic venues  
Shanghai Baoshan Iron and Steel  
Shanghai Cigarette Factory  
Shanghai Eastern Water Quality Purification Plant  
Shanghai Eastern Sewage Treatment Plant  
Tianshan Shanghai Waterworks  
Shanghai General Motors  
Shanghai Pudong Library  
Shanghai Pudong International Airport  
Shanghai Volkswagen plant  
Shanghai Jiangnan Shipyard  
Shanghai Zhenhua crane factory  
Anhui Wuhu Automotive  
Jinan Geely Automobile Factory  
Qinshan Nuclear Power  
Baotou Thermal Power Plant II  
Chongqing power distribution cabinet -3  
Wind farm in Xinjiang  
Chaiwupu wind power plant  
Zhejiang Jiaying Power Plant Chia Aethra  
Zhejiang Zhoushan Shipyard  
Jiangsu Jinling Shipyard

江苏泰州口岸船厂  
辽宁宏冠船厂  
外高桥造船厂200吨移位小车控制系统  
振华港机集装箱起重机控制系统  
徐州重工  
中芯国际(武汉)半导体制造有限公司

英特尔真空棒、PCW、HV  
南钢污水处理无人值班系统  
宝钢五钢厂水处理  
新疆八钢厂  
德州皇明太阳能  
南京滨江污水处理厂  
西昌卫星发射中心空调系统  
苏州博世  
三菱电梯  
平煤盐场  
中国电信  
西安飞机制造厂  
北京机场停机坪

Taizhou Port Shipyard  
Wang Kwun Shipyard in Liaoning  
Waigaoqiao shipyard 200 tons displacement control system for cars  
Zhenhua Port Machinery control system for container cranes  
Xuzhou Heavy Industries  
Semiconductor Manufacturing International (Wuhan) Co., Ltd.  
Semiconductor Manufacturing  
Intel vacuum wand, PCW, HV  
Nansteel unmanned sewage treatment system  
Baoshan steel mill five water treatment  
Xinjiang eight steel  
Emperor Ming of Texas Solar  
Riverside Sewage Treatment Plant in Nanjing  
China National Offshore Oil East China Sea oil field  
Tibet Shigatse refinery  
Xichang Satellite Launch Center air-conditioning systems  
Bosch Suzhou  
Mitsubishi Elevator  
Pingmei saltern  
China Telecom  
Xi'an Aircraft factory  
Beijing airport



Laser cutting machine



数控转塔冲床  
CNC turret punch press



数控折弯机  
CNC shearing machine



数控剪板机  
CNC shearing machine



发泡点胶机  
Foam dispenser



发泡密封条设备  
Foam sealing equipment



喷涂流水线  
Spraying line



喷涂设备  
Spraying line



普通冲床  
Ordinary punch



沈机数控车床  
CNC lathes



沈机普车  
Poor car



铣床  
Milling Machine

# 目录 Contents

## 机箱系列 Box series

- 1~4 KL 控制箱系列  
KL control box series
- 5~7 EB 精巧控制箱系列  
EB smart control box series
- 8~10 AE 控制箱系列  
AE control box series
- 11~13 AK 系列立(壁挂)式箱  
AK vertical(wall mounted) box series
- 14~15 GE 豪华立式控制箱系列  
GB luxury vertical control box series



## 机柜系列 Cabinet series

- 16~19 ES 独立式控制柜系列  
ES stand-alone control cabinet series
- 20~24 PS 控制柜系列  
PS control cabinet series
- 25~25 TS 控制柜系列  
TS control cabinet series
- 26~28 PC 电脑柜系列  
PC computer cabinet series



## 操作台系列 Operation console series

- 29~31 AP 斜面控制台系列  
AP console systems series
- 32~34 SP 三段式操作台系列  
SP three-section operation console series
- 35~36 TP 琴式操作台系列  
TP platform operation console series TP 琴式操作台系列  
TP platform operation console series

## 悬臂箱和悬臂系统系列 Boom boxes and jib system series

- 37~38 DC 悬臂箱  
DC cantilever box
- 39~40 DH 型悬臂箱  
DH-type cantilever box
- 41~42 DF 型悬臂箱  
DF-type cantilever box
- 43~43 MT-1 型移动支架  
MT-1 type mobile frame
- 44~44 MT-2 型移动支架  
MT-2 type mobile frame
- 45~48 50 悬臂系列  
50 Cantilever Series
- 49~52 60/80 悬臂系列  
60/80 Cantilever Series
- 53~53 立柱  
Column
- 53~53 不锈钢悬臂系列  
Stainless steel operation box and cantilever series
- 54~57 4460 轻型悬臂系列  
440 Cantilever Series
- 58~60 55/75 中型悬臂系列  
55/75 Cantilever Series



# 目录 Contents

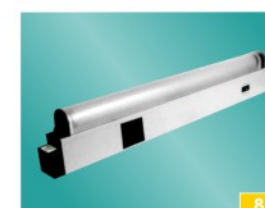
## 操作箱体 Operating Box

- 61~61 CP210/140 操作箱体  
CP210/140 Operating Box
- 62~62 CP 110/150/190操作箱体  
CP 110/150/190Operating Box



## 机柜温度控制系列 Cabinet temperature control series

- 63~69 机柜空调(风冷)  
Machine cabinet air conditioner
- 70~70 热交换器  
Heat exchange
- 71~73 风扇及过滤器  
Fan and filter
- 74~75 轴流风机  
Axial Fan
- 76~78 加热器  
Heater controller



## 接线盒系列 Junction Box Series

- 79~82 GA系列铸铝接线盒  
GA connection box series



## 机柜附件系列 Accessories series

- 83~83 机柜电子照明灯  
Electronic cabinet lights
- 84~84 表面修补油漆  
Surface paint repair
- 85~86 拉手  
Handle
- 87~96 机箱机柜附件系列  
Chassis cabinets Accessories



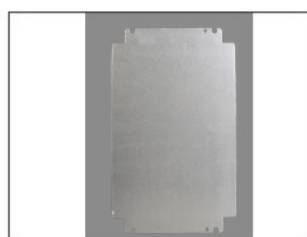
## 资质证书和防护等级 Certificate and degree of protection

- 97~97 系统集成及业绩举例  
System integration and performance examples
- 98~98 IP 防护等级介绍  
Introduction of IP protection level





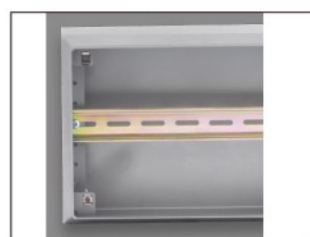
材料 Material	冷轧钢板/不锈钢304或316L Cold rolled steel sheet/ SUS 304 or 316L	标准配置 Standard configuration	门板、箱体、密封条、箱盖螺钉、 Door plate, box body, sealing strip, cover screw, mounting plate (option)
表面处理 Surface treatment	箱体和门板磷化喷涂处理，外部 为粉末涂层，颜色可分RAL7032 和RAL7035两种织纹 / 拉丝 Etch primer for box body and door plate; powder coating for outside; RAL7032 or RAL7035 texture optional	钢板厚度 Plate thickness	箱体: 1.5mm 门板: 2.0mm 镀白锌安装板: 2.5mm(选配) Box body: 1.5mm Door plate: 2.0mm Mounting plate: 2.5mm(Optional)



安装板  
镀锌安装板(可选件)  
Mounting plate  
Galvanized mounting plate  
(option)



壁挂件  
Wall mounting parts



支撑轨  
可支撑接线板和输配电设备  
Supporting rail  
To support connection box  
and power transmission/  
distribution equipment

## 产品特点 Features of products

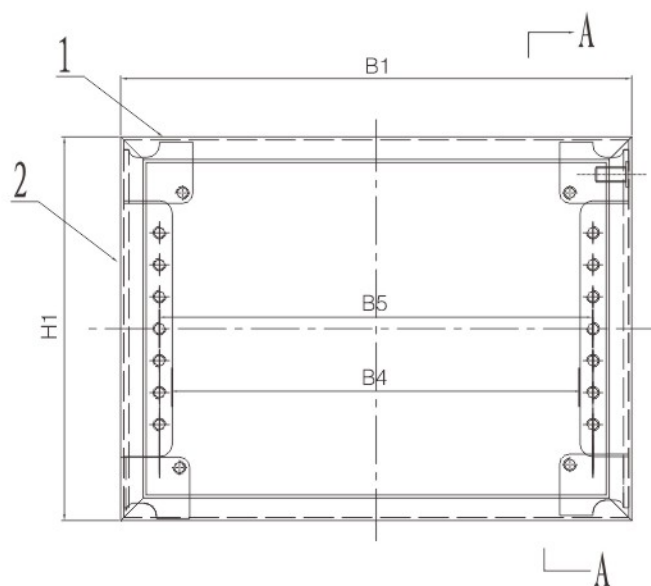
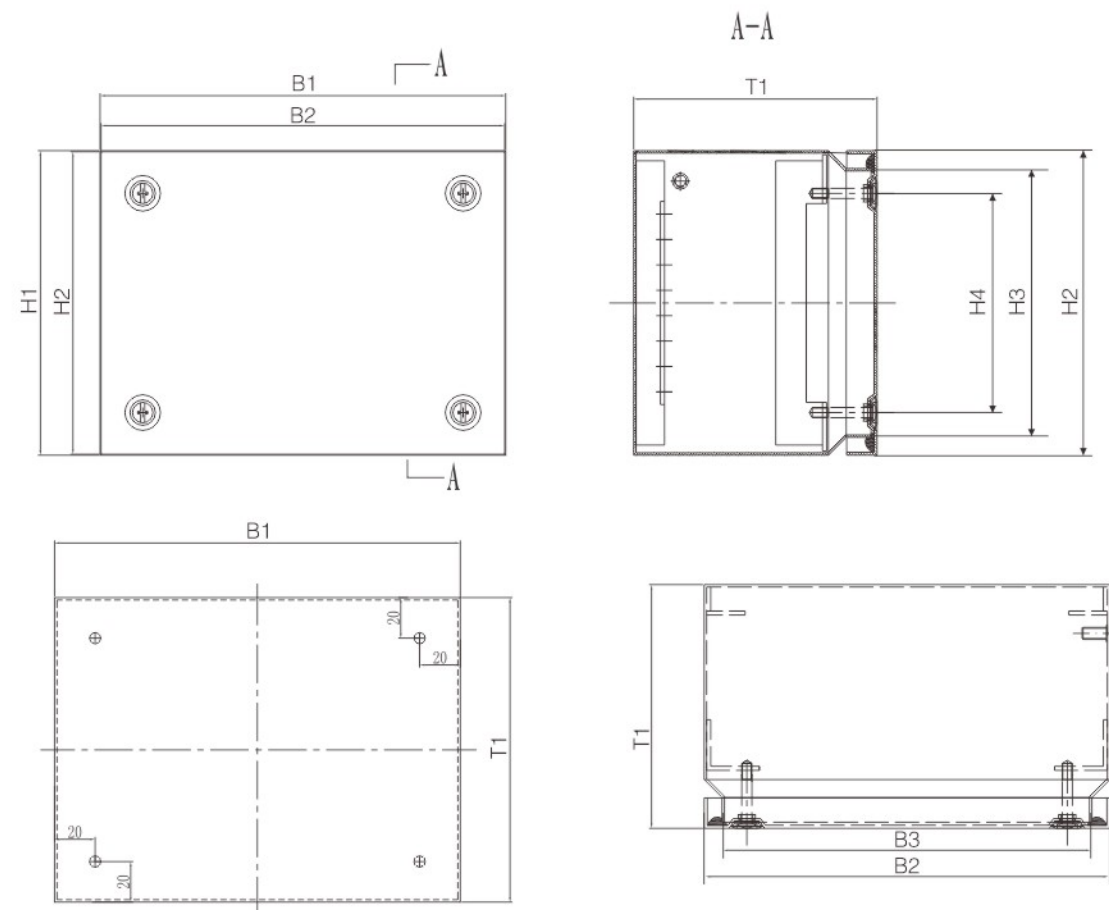
- 独特的箱体折边设计，使安装空间更大；
  - 箱体密封采用聚氨酯发泡，一次成型密封条工艺，箱盖用螺丝加塑料套管固定，确保防护等级可达到 IP 56；
  - 内部导轨支架，方便安装；
  - 箱体背部壁挂孔，并配壁挂件；
  - 箱体颜色：RAL7032、RAL7035；不锈钢表面双面拉丝。
  - 钢材选用优质冷轧钢板，不锈钢304或其他材质、箱体  $\Phi$ 1.5、箱盖  $\Phi$ 2.0。
- Special cabinet fold side design, making installation space larger;
  - Cabinet seals with polyurethane foam, one time forming process, cabinet cover fixed with screw with plastic sleeve, ensures protection grade up to IP 56;
  - Internal guide rail support, convenient to install;
  - Cabinet rear wall mounting hole, with wall mounting piece;
  - Cabinet color: RAL7032、RAL7035; SUS surface double-sided drawing.
  - Steel material selected high-quality cold rolled steel plate, 304 stainless steel or other materials cabinet  $\Phi$  1.5, cabinet cover  $\Phi$  2.0.

## KL系列订货规格表 KL series order specification table

序号 No.	订货号(RAL7032) Order No. (RAL 7032)	订货号(RAL7035) Order No. (RAL 7035)	订货号(不锈钢304) Order No. (SUS 304)	订货号(不锈钢316L) Order No. (SUS 316L)	宽 Width	高 Height	深 Depth
1	4118.002	4118.005	4118.004	4118.006	150	150	80
2	4111.002	4111.005	4111.004	4111.006	150	150	120
3	4218.002	4218.005	4218.004	4218.006	200	150	80
4	4211.002	4211.005	4211.004	4211.006	200	150	120
5	4228.002	4228.005	4228.004	4228.006	200	200	80
6	4221.002	4221.005	4221.004	4221.006	200	200	120
7	4318.002	4318.005	4318.004	4318.006	300	150	80
8	4311.002	4311.005	4311.004	4311.006	300	150	120
9	4328.002	4328.005	4328.004	4328.006	300	200	80
10	4321.002	4321.005	4321.004	4321.006	300	200	120
11	4331.002	4331.005	4331.004	4331.006	300	300	120
12	4411.002	4411.005	4411.004	4411.006	400	150	120
13	4428.002	4428.005	4428.004	4428.006	400	200	80
14	4421.002	4421.005	4421.004	4421.006	400	200	120
15	4431.002	4431.005	4431.004	4431.006	400	300	120
16	4441.002	4441.005	4441.004	4441.006	400	400	120
17	4521.002	4521.005	4521.004	4521.006	500	200	120
18	4531.002	4531.005	4531.004	4531.006	500	300	120
19	4621.002	4621.005	4621.004	4621.006	600	200	120
20	4631.002	4631.005	4631.004	4631.006	600	300	120
21	4641.002	4641.005	4641.004	4641.006	600	400	120
22	4821.002	4821.005	4821.004	4821.006	800	200	120
23	4841.002	4841.005	4841.004	4841.006	800	400	120

\*可定制非标产品 Nonstandard products are customizable

## KL系列细节图 KL series detail drawing

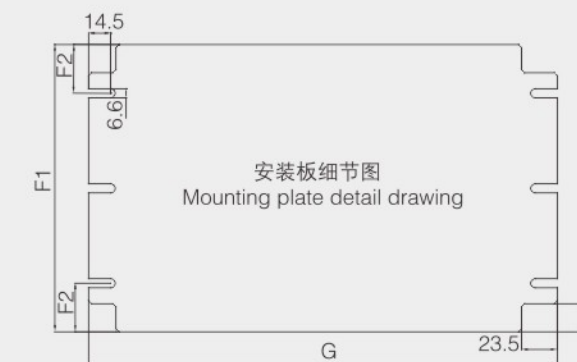


- B1: 总宽度  
B2: 箱盖的宽度  
B3: 箱体框架内的净宽度  
B4: 两根安装支架条内的净宽度  
B5: 框架内安装支架条之间的距离  
H1: 总高度  
H2: 箱盖的高度  
H3: 箱体框架内的净宽度  
H4: 上下两浮动螺母之间的距离  
T1: 总深度
- B1: Total width  
B2: Cover width  
B3: Clear width in box frame  
B4: Clear width between two mounting racks in frame  
B5: Distance between two mounting racks in frame  
H1: Total height  
H2: Cover height  
H3: Clear width in box frame  
H4: Distance between upper and lower floating nuts  
T1: Total depth

## KL安装板细节图 KL Mounting plate detail drawing

## 选配

Optional



安装板细节图  
Mounting plate detail drawing  
材料: 2.5mm镀锌板  
Material: 2.5mm galvanized plate

## KL安装板尺寸规格表 KL mounting plate dimensions table

安装板尺寸 Mounting plate dimensions			箱体尺寸 Box dimensions	
G	F1	F2	B1	H1
135	125	62.5	150	150
285	125	62.5	300	150
185	175	50	200	200
285	175	50	300	200
285	275	50	300	300
185	125	62.5	200	150

## KL系列尺寸规格表 KL series dimensions table

规格尺寸 Dimensions			宽 Width					高 Height				深 Depth
宽 Width	高 Height	深 Depth	B1	B2	B3	B4	B5	H1	H2	H3	H4	T1
150	150	80	150	148	132	109	125	150	148	132	100	80
150	150	120	150	148	132	109	125	150	148	132	100	120
200	150	80	200	198	182	159	175	150	148	132	100	80
200	150	120	200	198	182	159	175	150	148	132	100	120
200	200	120	200	198	182	159	175	200	198	182	150	120
300	200	120	300	298	282	259	275	200	198	182	150	120
300	200	155	300	298	282	259	275	200	198	182	150	155
300	200	210	300	298	282	259	275	200	198	182	150	210
380	300	210	380	378	362	339	355	300	298	282	250	210
380	380	210	380	378	362	339	355	380	378	362	330	210



材料 Material	冷轧钢板/不锈钢304或316L Cold rolled steel sheet/ SUS 304 or 316L	标准配置 Standard configuration	门板、箱体、密封条、接地套 件、镀白锌安装板、门锁 Door plate, box body, sealing strip, grounding set, mounting plate, door lock
表面处理 Surface treatment	箱体和门板磷化喷涂处理, 外部为粉末涂层, 颜色可分 RAL7032和RAL7035两种织 纹, 安装板则为镀锌 / 拉丝 Etch primer for box body and door plate; powder coating for outside; RAL7032 or RAL7035 texture optional; galvanized mounting plate	钢板厚度 Plate thickness	箱体: 1.5mm 门板: 2.0mm 镀白锌安装板: 2.5mm Box body: 1.5mm Door plate: 2.0mm Mounting plate: 2.5mm

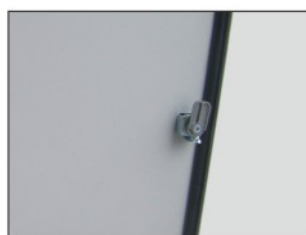
### 产品特点 Features of products

- 180度铰链确保门开启角度达到180度
- 箱口多层保护槽能起加固作用, 不但能防止门板打开时脏物和水进入箱内, 而且提供更大的箱口空间
- 镀锌钢板制成的安装板不但可以在箱外做布线使用, 并提供更大的安装空间
- PU发泡密封条确保箱体达到IP56的防护等级
- 180° hinge allows 180° door opening
- Multiple protection grooves are designed at the box opening for reinforcement, which can prevent the entry of dirt or water when the door is opened, and offer a larger box opening space
- The mounting plate made of galvanized plate can be used for wiring outside the box and provide a larger mounting space
- PU foaming sealing strip ensures a protection grade of IP56 to box body

### EB系列订货规格表 EB series order specification table

序号 No.	订货号(RAL7032) Order No. (RAL 7032)	订货号(RAL7035) Order No. (RAL 7035)	订货号(不锈钢304) Order No. (SUS 304)	订货号(不锈钢316L) Order No. (SUS 316L)	宽 Width	高 Height	深 Depth
1	3118.002	3118.005	3118.004	3118.006	150	150	80
2	3111.002	3111.005	3111.004	3111.006	150	150	120
3	3138.002	3138.005	3138.004	3138.006	150	300	80
4	3131.002	3131.005	3131.004	3131.006	150	300	120
5	3228.002	3228.005	3228.004	3228.006	200	200	80
6	3221.002	3221.005	3221.004	3221.006	200	200	120
7	3238.002	3238.005	3238.004	3238.006	200	300	80
8	3231.002	3231.005	3231.004	3231.006	200	300	120
9	3248.002	3248.005	3248.004	3248.006	200	400	80
10	3241.002	3241.005	3241.004	3241.006	200	400	120
11	3251.002	3251.005	3251.004	3251.006	200	500	120
12	3331.002	3331.005	3331.004	3331.006	300	300	120
13	3341.002	3341.005	3341.004	3341.006	300	400	120
14	3345.002	3345.005	3345.004	3345.006	300	400	155
15	3365.002	3365.005	3365.004	3365.006	300	600	155
16	3385.002	3385.005	3385.004	3385.006	300	800	155

\*可定制非标产品 Nonstandard products are customizable



专用锁系统  
带双齿锁芯的专业锁系统  
Special lock system  
Professional lock system  
with double-teeth cylinder



旋转180° 锌合金铰链  
180° zinc alloy hinge



安装板  
Mounting plate



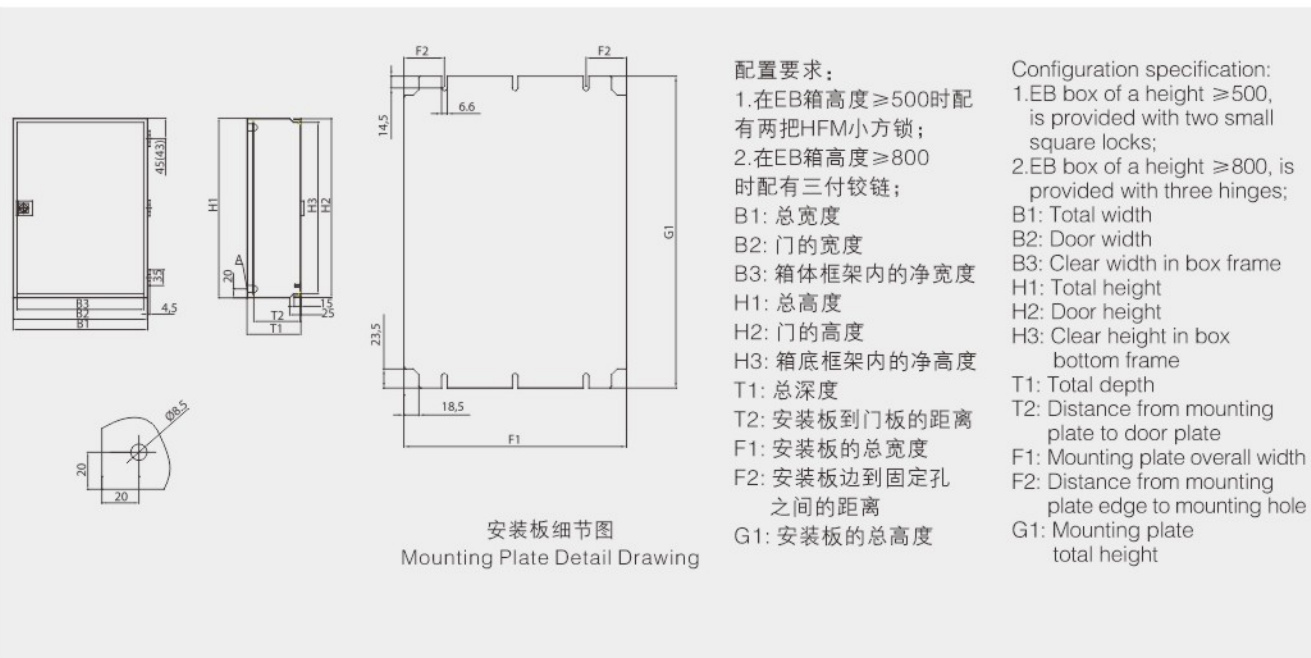


宏艳电气  
JXHY1111.COM

### EB系列尺寸规格表 EB series dimensions table

规格尺寸 Dimensions			宽 Width			高 Height			深 Depth		安装板 Mounting plate		
宽 Width	高 Height	深 Depth	B1	B2	B3	H1	H2	H3	T1	T2	F1	F2	G1
150	150	80	150	148	132	150	148	132	80	65	125	62.5	135
150	300	80	150	148	132	300	298	282	80	65	125	62.5	285
200	200	80	200	198	182	200	198	182	80	65	175	50	185
200	300	80	200	198	182	300	298	282	80	65	175	50	285
200	400	80	200	198	182	400	398	382	80	65	175	50	385
150	150	120	150	148	132	150	148	132	120	105	125	62.5	135
150	300	120	150	148	132	300	298	282	120	105	125	62.5	285
200	200	120	200	198	182	200	198	182	120	105	175	50	185
200	300	120	200	198	182	300	298	282	120	105	175	50	285
200	400	120	200	198	182	400	398	382	120	105	175	50	385
300	300	120	300	298	282	300	298	282	120	105	275	50	285
300	400	120	300	298	282	400	398	382	120	105	275	50	385
200	500	120	200	198	182	500	498	482	120	105	175	50	485
300	400	155	300	298	282	400	398	382	155	140	275	50	385
300	600	155	300	298	282	600	598	582	155	140	275	50	585
300	800	155	300	298	282	800	798	782	155	140	275	50	785

### EB系列细节图 EB series detail drawing



宏艳电气  
JXHY1111.COM



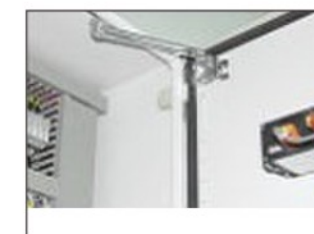
材料 Material	冷轧钢板/不锈钢304或316L Cold rolled steel sheet SUS 304 or 316L	标准配置 Standard configuration	门板、箱体、密封条、接地套件、镀锌安装板、门锁 Door plate, box body, sealing strip, grounding set, mounting plate, door lock
表面处理 Surface treatment	箱体和前门磷化喷涂处理, 外部为粉末涂层, 颜色可分RAL7032和RAL7035两种织纹, 安装板则为镀锌/拉丝 Etch primer for box body and front door; powder coating for outside; RAL7032 or RAL7035 texture optional; galvanized mounting plate	钢板厚度 Plate thickness	箱体: 1.5mm 门板: 2.0mm 安装板: 2.5mm Box body: 1.5mm Door plate: 2.0mm Mounting plate: 2.5mm



防雨棚  
防止雨水直接流入  
Awning  
Prevent rainwater entering directly



壁挂件  
Wall mounting parts



限位器  
防止门打开后意外闭合, 适用于户外、船舶等恶劣环境  
Limiter  
Prevent accidental closing of opened door, applicable for severe environments, e.g. outdoor, vessels



宏艳电气  
JXHY1111.COM

### 产品特点 Features of products

- 安装嵌条：已打好装配孔的嵌条垂直焊接在箱门的两侧，使用M4自攻螺丝，方便安装
  - 密封圈：聚氨酯发泡密封胶条密封性能可靠
  - 门使用销钉式铰链，可开启110°
  - 槽型箱边：防止灰尘和水进入箱内，并能够很好地与密封圈配合形成对箱内的保护
  - 壁挂孔：箱体背板已打好安装壁挂的孔眼，并配有挂片，方便安装
  - 门可左右互换安装，方便现场安装和使用
  - 颜色 RAL 7032、RAL 7035 (电脑灰、电脑白)/拉丝
  - 防护等级 IP56
  - 柜体表面处理：磷化、喷粉(烤漆)、双面拉丝
- Install panel strip: Weld panel strip with assembly holes perpendiculy to the sides of cabinet door, use M4 self tapping screw for easy installation.
  - Seal ring: Polyurethane foaming seal strip seals reliably.
  - Door usage pin pallet hinge, can open 110°.
  - Groove type cabinet edge: prevent dust and water into the box And cooperate well with the formation of sealing.
  - Wall mounting hole: Cabinet backboard Perforated for easy installation of wall mounted holes and with mounting piece.
  - Door can change from left to right, convenient to install and use.
  - Color RAL7032, RAL7035(computer grey, computer white)
  - Protection grade Ip56
  - Surface finish phosphate coation. powder spray/stove-enameled Double-sided drawing

### AE系列订货规格表 AE series order specification table

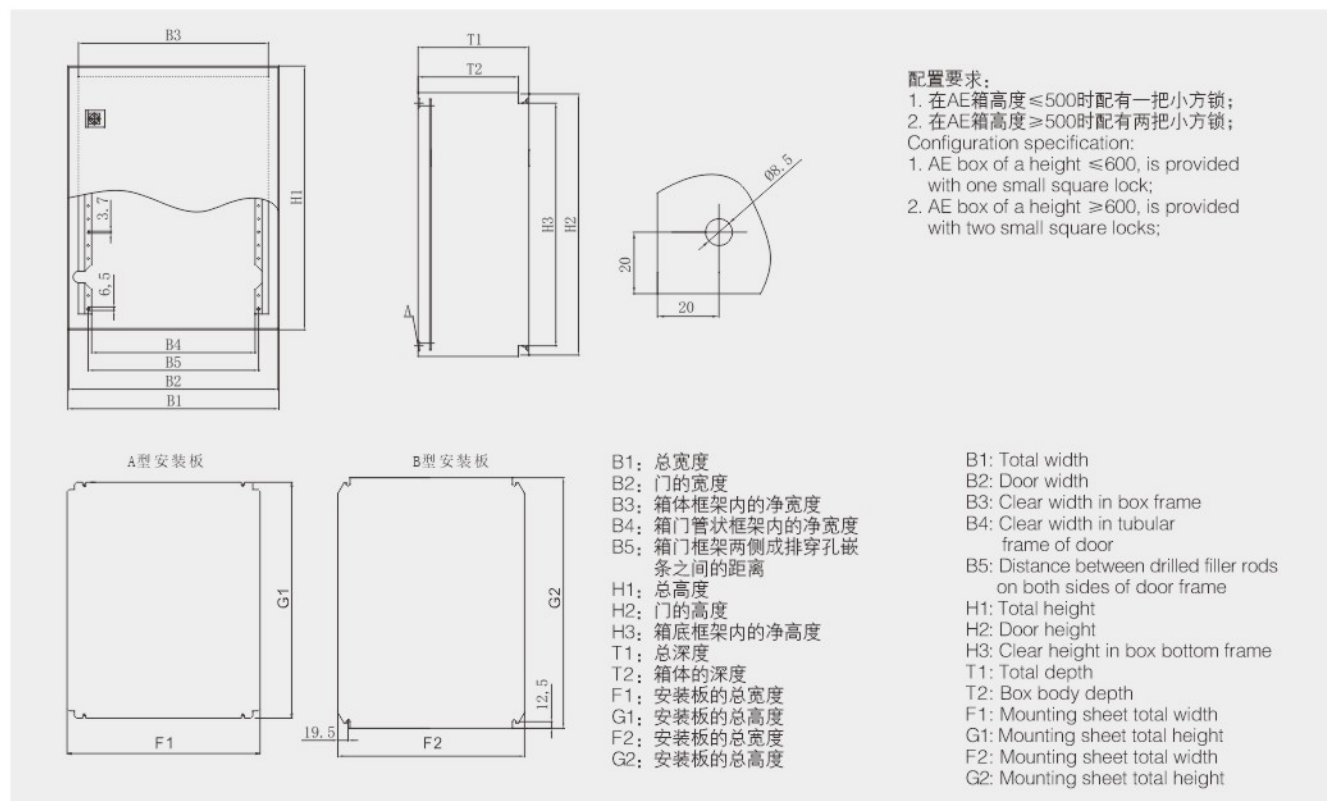
序号 No.	订货号(RAL7032) Order No. (RAL7032)	订货号(RAL7035) Order No. (RAL7035)	订货号(不锈钢304) Order No. (SUS 304)	订货号(不锈钢316L) Order No. (SUS 316L)	宽 Width	高 Height	深 Depth
1	1323.002	1323.005	1323.004	1323.006	350	250	300
2	1231.002	1231.005	1231.004	1231.006	200	300	120
3	1235.002	1235.005	1235.004	1235.006	200	300	155
4	1332.002	1332.005	1332.004	1332.006	300	300	210
5	1331.002	1331.005	1331.004	1331.006	380	300	210
6	1536.002	1536.005	1536.004	1536.006	250	300	160
7	1335.002	1335.005	1335.004	1335.006	380	300	155
8	1382.002	1382.005	1382.004	1382.006	380	380	210
9	1632.002	1632.005	1632.004	1632.006	600	380	210
10	1633.002	1633.005	1633.004	1633.006	600	380	350
11	1341.002	1341.005	1341.004	1341.006	300	400	210
12	1241.002	1241.005	1241.004	1241.006	200	400	120
13	1342.002	1342.005	1342.004	1342.006	300	400	120
14	1345.002	1345.005	1345.004	1345.006	300	400	155
15	1445.002	1445.005	1445.004	1445.006	400	400	155
16	1452.002	1452.005	1452.004	1452.006	400	500	210
17	1552.002	1552.005	1552.004	1552.006	500	500	210
18	1553.002	1553.005	1553.004	1553.006	500	500	300
19	1351.002	1351.005	1351.004	1351.006	300	500	155
20	1562.002	1562.005	1562.004	1562.006	500	600	200
21	1561.002	1561.005	1561.004	1561.006	500	600	210
22	1662.002	1662.005	1662.004	1662.006	600	600	200
23	1665.002	1665.005	1665.004	1665.006	600	600	250
24	1663.002	1663.005	1663.004	1663.006	600	600	300
25	1635.002	1635.005	1635.004	1635.006	600	600	350
26	1672.002	1672.005	1672.004	1672.006	600	760	210
27	1673.002	1673.005	1673.004	1673.006	600	760	350

\*可定制非标产品 Nonstandard products are customizable



宏艳电气  
JXHY1111.COM

### AE系列细节图 AE series detail drawing



### AE系列尺寸规格表 AE series dimensions table

规格尺寸 Dimensions			宽 Width					高 Height			深 Depth		安装板 Mounting plate			
宽 Width	高 Height	深 Depth	B1	B2	B3	B4	B5	H1	H2	H3	T1	T2	F1	G1	F2	G2
200	300	120	200	195	160	111	123	300	295	260	120	100	150	250	154	275
200	300	210	200	195	160	111	123	300	295	260	210	190	150	250	154	275
300	400	210	300	295	260	211	223	400	395	360	210	190	250	350	254	375
380	300	210	380	375	340	291	303	300	295	260	210	190	330	250	334	275
380	380	210	380	375	340	291	303	380	375	340	210	190	330	330	334	355
400	500	210	400	395	360	311	323	500	495	460	210	190	350	450	354	475
380	600	210	380	375	340	291	303	600	595	560	210	190	330	550	334	575
500	500	210	500	495	460	411	423	500	495	460	210	190	450	450	454	475
600	600	210	600	595	560	511	523	600	595	560	210	190	550	550	554	575
600	760	210	600	595	560	511	523	760	755	720	210	190	550	710	554	735
600	760	350	600	595	560	511	523	760	755	720	350	330	550	710	554	735

# AK 系列立 ( 壁挂 ) 式箱

## AK vertical(wall mounted) box series



宏艳电气  
JXHY1111.COM



宏艳电气  
JXHY1111.COM

# AK 系列立 ( 壁挂 ) 式箱

## AK vertical(wall mounted) box series



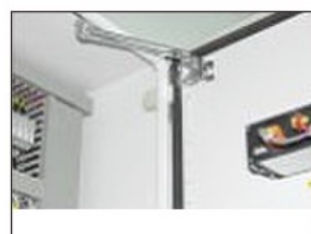
材料 Material	冷轧钢板/不锈钢304或316L Cold rolled steel sheet/ SUS 304 or 316L	标准配置 Standard configuration	门板、箱体、密封条、接地套 件、镀白锌安装板、门锁 Door plate, box body, sealing strip, grounding set, mounting plate, door lock
表面处理 Surface treatment	箱体和前门磷化喷涂处理, 外部为粉末涂层, 颜色可分 RAL7032和RAL7035两种织 纹 / 拉丝 Etch primer for box body and front door; powder coating for outside; RAL7032 or RAL7035 texture optional; galvanized mounting plate	钢板厚度 Plate thickness	箱体: 1.5mm 门板: 2.0mm 安装板: 2.5mm Box body: 1.5mm Door plate: 2.0mm Mounting plate: 2.5mm



凸台盖板  
Convex plate



岔道锁  
可上、中、下三点锁紧柜门  
Turnoff lock  
Can lock top, middle and  
bottom three points details  
referred to appendix.



限位器  
防止门打开后意外闭合, 适用于户  
外、船舶等恶劣环境  
Limiter  
Prevent accidental closing of opened  
door, applicable for severe  
environments, e.g. outdoor, vessels

### 工艺特点介绍 Technical features

- 安装嵌条: 已打好装配孔的嵌条垂直焊接在箱门的两侧, 使用M4自攻螺丝, 方便安装
  - 密封圈: 聚氨酯发泡密封胶条密封性能可靠
  - 门可开启110°
  - 槽型箱边: 防止灰尘和水进入箱内, 并能够完好地与密封圈配合, 形成对箱内的防护
  - 壁挂孔: 箱体背板已打好安装壁挂的孔眼, 方便安装
  - (单开)门可左右互换安装
  - 颜色 RAL 7032、RAL 7035或客户要求定制(电脑灰、电脑白)/拉丝
  - 防护等级 IP56
  - 底部凸台盖板进线, 可拆下开孔配有密封圈
  - 安装板也可用桔黄色烤漆
  - 表面处理: 磷化、喷粉、双面拉丝等
- Install panel strip: Weld panle strip with assemble holes perpendiculy to the sides of cabinet door, use M4 self tapping screw for easy installation
  - Seal ring: Polyurethane foaming seal strip seals relibly
  - Door can open :110°
  - Groove type cabinet edge: Prevent dust and water from entering the cabinet, and can seal completely with sealing strip
  - Wall mounting hole: Cabinet backboard perforated for easy installation of wall mounted holes and with mounting piece
  - (Single opening ) door can change from left to right
  - Color RAL 7032, RAL7035 or customer selection(computer grey; computer white)
  - Protection grade IP56
  - Bottom convex plate line entrance, dismantable bottom opening with seal ring
  - Installation plate can also use orange yellow flating agent
  - Cabinet body surface treatment:phosphating,plastic spraying, Double sided pull

### AK系列订货规格表 AK series order specifcation table

序号 No.	订货号 ( RAL7032 ) Order No.(RAL7032)	订货号(RAL7035) Order No.(RAL7035)	订货号(不锈钢304) Order No. (SUS 304)	订货号(不锈钢316L) Order No. (SUS 316L)	宽 Width	高 Height	深 Depth
1	2162.002	2162.005	2162.004	2162.006	1000	600	215
2	2663.002	2663.005	2663.004	2663.006	600	600	300
3	2672.002	2672.005	2672.004	2672.006	600	760	250
4	2772.002	2772.005	2772.004	2772.006	760	760	210
5	2763.002	2763.005	2763.004	2763.006	760	760	300
6	2172.002	2172.005	2172.004	2172.006	1000	760	210
7	2173.002	2173.005	2173.004	2173.006	1000	760	300
8	2682.002	2682.005	2682.004	2682.006	600	800	250
9	2683.002	2683.005	2683.004	2683.006	600	800	300
10	2883.002	2883.005	2883.004	2883.006	800	800	300
11	2812.002	2812.005	2812.004	2812.006	800	1000	200
12	2813.002	2813.005	2813.004	2813.006	800	1000	300
13	2612.002	2612.005	2612.004	2612.006	600	1000	250
14	2113.002	2113.005	2113.004	2113.006	1000	1000	300
15	2622.002	2622.005	2622.004	2622.006	600	1200	250
16	2623.002	2623.005	2623.004	2623.006	600	1200	300
17	2123.002	2123.005	2123.004	2123.006	1000	1200	300
18	2143.002	2143.005	2143.004	2143.006	1000	1400	300
19	2643.002	2643.005	2643.004	2643.006	600	1400	350
20	2743.002	2743.005	2743.004	2743.006	700	1400	350
21	2823.002	2823.005	2823.004	2823.006	800	1200	300

\*可定制非标产品 Nonstandard products are customizable

# AK 系列立 ( 壁挂 ) 式箱

## AK vertical(wall mounted) box series



宏艳电气  
JXHY1111.COM

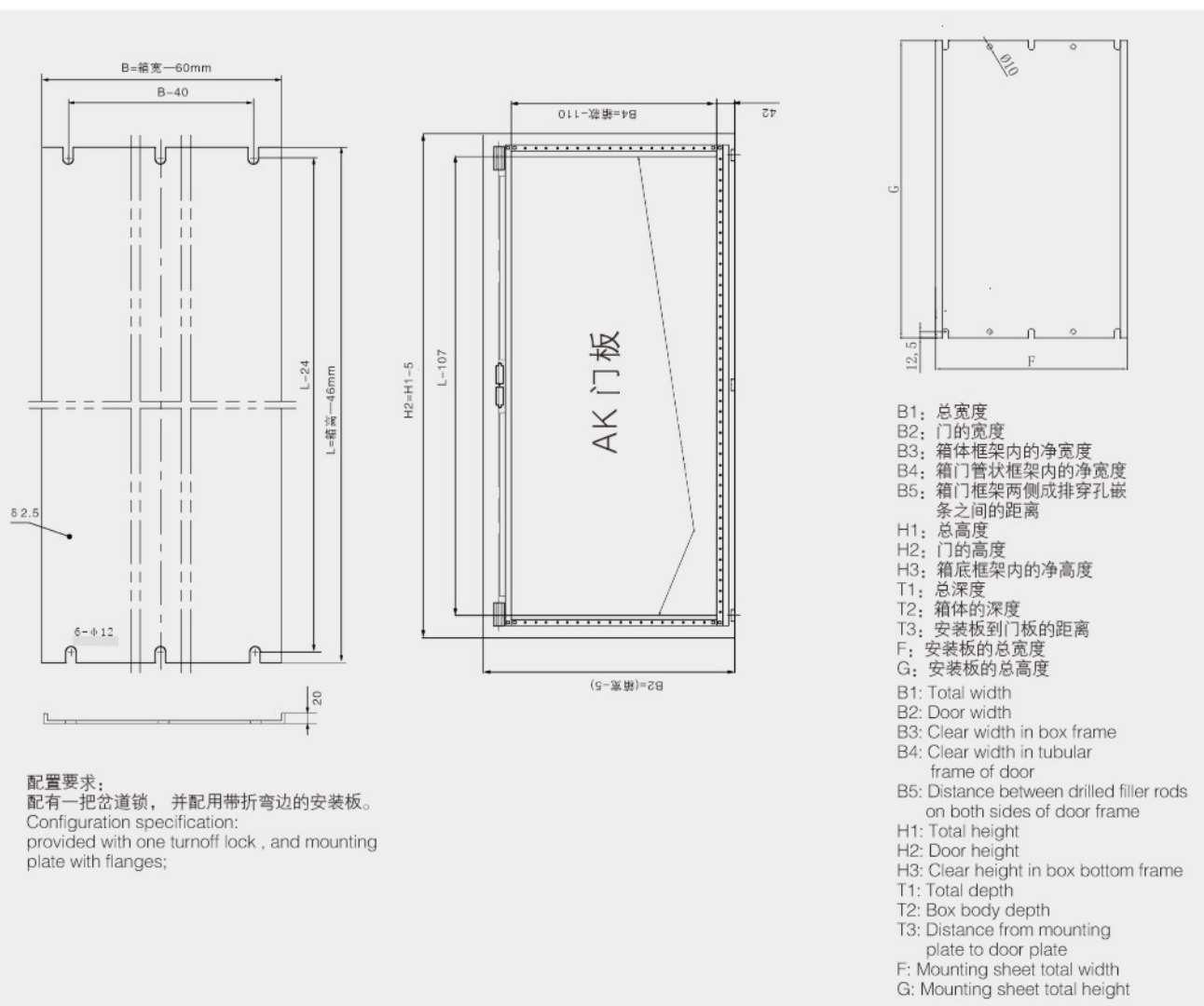


宏艳电气  
JXHY1111.COM

# GE 豪华立式控制箱系列

## GB luxury vertical control box series

### AK系列细节图 AK series detail drawing



### AK系列尺寸规格表 AK series dimensions table

规格尺寸 Dimensions			宽 Width					高 Height			深 Depth			安装板 Mounting plate	
宽 Width	高 Height	深 Depth	B1	B2	B3	B4	B5	H1	H2	H3	T1	T2	T3	F	G
500	500	210	500	495	460	411	423	500	495	460	210	190	168-184	454	475
600	600	210	600	595	560	511	523	600	595	560	210	190	168-184	554	575
600	760	210	600	595	560	511	523	760	755	720	210	190	168-184	554	735
600	760	350	600	595	560	511	523	760	755	720	350	330	168-324	554	735
600	800	250	600	595	560	511	523	800	795	760	250	230	168-224	554	775
600	900	300	600	595	560	511	523	900	895	860	300	280	168-274	554	875
800	1000	300	800	795	760	711	723	1000	995	960	300	280	168-274	754	975
600	1200	300	600	595	560	511	523	1200	1195	1160	300	280	168-274	554	1175
1000	1000	300	1000	995	960	911	923	1000	995	960	300	280	168-274	954	975
1000	1200	300	1000	995	960	911	923	1200	1195	1160	300	280	168-274	954	1175



材料 Material	冷轧钢板/不锈钢304或316L Cold rolled steel sheet SUS 304 or 316L	标准配置 Standard configuration	门板、箱体、密封条、接地套件、 镀白锌安装板、门锁 Door plate, box body, sealing strip, grounding set, mounting plate, door lock, lifting ring (option)
表面处理 Surface treatment	箱体和门板磷化喷涂处理, 外部为粉末涂层, 可分RAL7032或RAL7035两种织纹 / 拉丝 Etch primer for box body and door plate; powder coating for outside; RAL7032 or RAL7035 texture optional; galvanized mounting plate	钢板厚度 Plate thickness	箱体: 1.5mm(可选2.0mm) 门板: 2.0mm 安装板: 标配2.5mm(可选3.0) Box body: 1.5mm(2.0mm option) Door plate: 2.0mm Mounting plate: standard 2.5mm (3.0 option)



坚固的门板方管加强筋  
Firm door plate square tube stiffener



加强的多折箱体边框  
灵活的底部进出线方式  
Reinforced folded box frame; flexible bottom inlet/outlet line mode



锌合金130° 承重铰链  
高强度的安装板支架  
Zinc alloy 130° bearing hinge  
High strength mounting plate rack

## GE 豪华立式控制箱系列

### GB luxury vertical control box series



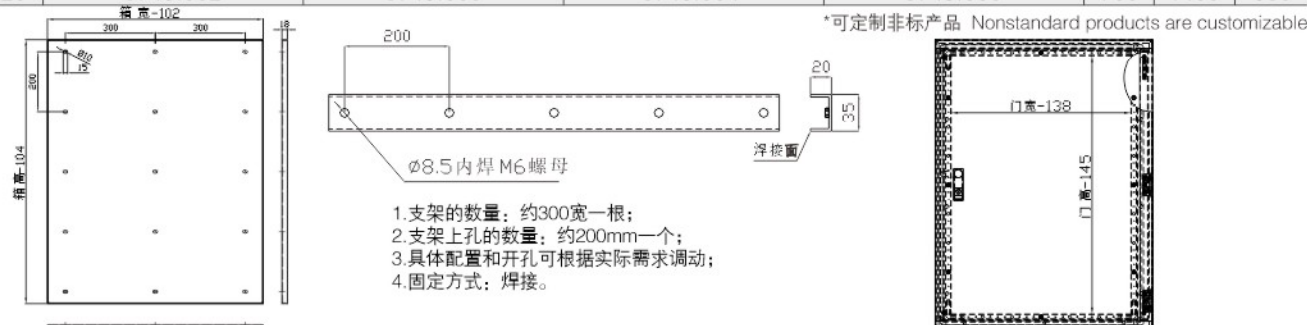
宏艳电气  
JXHY1111.COM

#### 产品特点 Features of products

- 安装嵌条：使用标准方管装配在门板四周，使用M4自攻螺丝，方便安装
  - 密封圈：聚氨酯发泡密封胶条密封性能可靠
  - 门可开启110°C
  - 槽型箱边：防止灰尘和水进入箱内，并能够完好地与密封圈配合，形成对箱内的防护
  - 壁挂孔：箱体背板已打好安装壁挂的孔眼，方便安装
  - (单开)门可左右互换安装
  - 颜色 RAL 7032、RAL 7035或客户要求定制 (电脑灰、电脑白)/拉丝
  - 防护等级 IP56
  - 底部凸台盖板进线，可拆下开孔配有密封圈
  - 安装板也可用桔黄色烤漆
  - 表面处理：磷化、喷粉、双面拉丝
- Install panel strip: Weld panel strip with assemble holes perpendicularly to the sides of cabinet door, use M4 self tapping screw for easy installation
  - Seal ring: Polyurethane foaming seal strip seals reliably.
  - Door can open :110°
  - Groove type cabinet edge: Prevent dust and water from entering the cabinet, and can seal completely with sealing strip
  - Wall mounting hole: Cabinet backboard perforated for easy installation of wall mounted holes and with mounting piece
  - (Single opening ) door can change from left to right
  - Color RAL 7032, RAL7035 or customer selection(computer grey; computer white)
  - Protection grade IP56
  - Bottom convex plate line entrance, dismantable bottom opening with seal ring
  - Installation plate can also use orange yellow flating agent
  - Cabinet body surface treatment:phosphating,plastic spraying Double-sided drawing

#### GE 系列订货规格表 GE series order specification table

序号 No.	订货号 (RAL7032) Order No.(RAL7032)	订货号 (RAL7035) Order No. (RAL7035)	订货号(不锈钢304) Order No. (SUS 304)	订货号(不锈钢316L) Order No. (SUS 316L)	宽 Width	高 Height	深 Depth
1	5162.002	5162.005	5162.004	5162.006	1000	600	215
2	5663.002	5663.005	5663.004	5663.006	600	600	300
3	5672.002	5672.005	5672.004	5672.006	600	760	250
4	5772.002	5772.005	5772.004	5772.006	760	760	210
5	5773.002	5773.005	5773.004	5773.006	760	760	300
6	5172.002	5172.005	5172.004	5172.006	1000	760	210
7	5173.002	5173.005	5173.004	5173.006	1000	760	300
8	5682.002	5682.005	5682.004	5682.006	600	800	250
9	5683.002	5683.005	5683.004	5683.006	600	800	300
10	5883.002	5883.005	5883.004	5883.006	800	800	300
11	5812.002	5812.005	5812.004	5812.006	800	1000	200
12	5813.002	5813.005	5813.004	5813.006	800	1000	300
13	5612.002	5612.005	5612.004	5612.006	600	1000	250
14	5113.002	5113.005	5113.004	5113.006	1000	1000	300
15	5622.002	5622.005	5622.004	5622.006	600	1200	250
16	5623.002	5623.005	5623.004	5623.006	600	1200	300
17	5123.002	5123.005	5123.004	5123.006	1000	1200	300
18	5143.002	5143.005	5143.004	5143.006	1000	1400	300
19	5643.002	5643.005	5643.004	5643.006	600	1400	350
20	5743.002	5743.005	5743.004	5743.006	700	1400	350



宏艳电气  
JXHY1111.COM

## ES独立式控制柜系列

### ES stand-alone control cabinet series



材料 Material	冷轧钢板/不锈钢304或316L Cold rolled steel sheet/ SUS 304 or 316L	标准配置 Standard configuration	前门、背板、镀锌安装板、 柜体、门锁、密封条、灯和行程开关 Front door, back plate, mounting plate, cabinet, door lock, sealing strip
表面处理 Surface treatment	机柜磷化喷涂处理，外部 为粉末涂层，颜色可分 RAL7032和RAL7035两种织 纹 / 拉丝 Etch primer for cabinet; powder coating for outside; RAL7032 or RAL7035 texture optional; galvanized mounting plate	钢板厚度 Plate thickness	框架：五折型材1.5mm 门板：2.0mm 背板：1.5mm 安装板：2.5mm (可选3.0mm) Frame: 5-fold sections 1.5mm Door plate: 2.0mm Back plate: 1.5mm Mounting plate: 2.5mm(3.0mm option)



宏艳电气  
JXHY1111.COM

### 产品特点 Features of products

- 箱门离地25mm
- 2.5mm厚的安装板，两边有20mm宽的U形弯边，使得安装板强度更大，也便于搬运
- 箱底三块电缆导入盖板，可以相互替换，移动方便，易于导入电缆，易于开孔进线
- 接地螺丝
- 承重铰链，安装容易，换柜门也容易，箱门可启130°
- 塑料滑引器可利用塑料滑引器通过导轨，可从正面将安装板推入箱内
- 坚固的长方形框架不但可以加强前门的强度，还可以用来固定安装电器元件(配合门安装横条使用)
- 背板能很容易地安装，用螺丝固定；还可换装箱门
- 连杆岔道锁，上、中、下三点锁紧柜门
- 密封圈：聚氨脂发泡密封胶条，确保防护等级
- 箱边与密封圈配合防止水和灰尘落入柜内
- (单门)左右互换开门设计，方便使用
- 标准模数化安装孔设计，方便安装
- 内灯，方便安装和检测
- 文件袋，方便现场工作
- 安装梁，不使用安装板同样可以进行柜内安装(自选件)
- 风机及过滤网，保证柜内通风，防护等级IP54(自选件)
- 底座，拆卸、安装都很方便(自选件)
- 双安装板，安装容量大(自选件)
- 门安装条，方便安装



门限位器  
Door stay



安装板U型折边  
Instating plate  
U-type hem



安装板上固定件  
Flxed parts on installing  
plate



门承重铰链  
Bearing hinge on door

- Cabinet door is 25 mm above the ground.
- 2.5 mm thick installation plate, both sides with U curve 20 mm width, making installation plate more strengthful, for easy trans portation.
- Three cabinet bottom cable entrance cover plates, can be inter changed, move conveniently, easily conducting cable, easy to open hole for cable entrance.
- Ground bolt
- Bearing hinge, install easily,change cabinet door also easily
- Cabinet door can open 130°
- Plastic slip inducer makes use of plastic slip inducer over guiding rail, can push installation plate inside the cabinet from front.
- Rigid rectangular frame can not only strengthen the strength front door, but can also be used to fix installed electric appliance component (with of horizontal door installation strip).
- Back plate can be installed easily, fixed with scre; cabinet door can also be changed.
- Turnoff lock can lock cabinet from top, middle and bottom three points.
- Seal ring: polyurethane sealing strip ensures protection grade.
- Cabinet side matches with seal ring to prevent water and dust from entering cabinet.
- (Single door) left-right interchangeable opening design for easy usage.
- Standardarized moldular installation hole sesign, convenient installation.
- Internal light, convenient installation and inspection.
- Document bag, convenient site work.
- Installation beam, can also perform inside installation without installation plate(selective).
- Fan and filter element, ensure well cabinet inside ventilation, protection grade IP54(selective).
- Base, fixed and detachable, convenient installation(selective.)
- Double installation plate, big installation capacity(selective).
- Door installation strip,convenient installation.



宏艳电气  
JXHY1111.COM

### ES系列订货规格表 ES series order specification table

序号 No.	订货号(RAL7032) Order No. (RAL 7032)	订货号(RAL7035) Order No. (RAL 7035)	订货号(不锈钢304) Order No. (SUS 304)	订货号(不锈钢316L) Order No. (SUS 316L)	宽 Width	高 Height	深 Depth
1	6664.002	6664.005	6664.004	6664.006	600	1600	400
2	6865.002	6865.005	6865.004	6865.006	800	1600	500
3	6265.002	6265.005	6265.004	6265.006	1200	1600	500
4	6684.002	6684.005	6684.004	6684.006	600	1800	400
5	6685.002	6685.005	6685.004	6685.006	600	1800	500
6	6785.002	6785.005	6785.004	6785.006	700	1800	500
7	6885.002	6885.005	6885.004	6885.006	800	1800	500
8	6884.002	6884.005	6884.004	6884.006	800	1800	400
9	6184.002	6184.005	6184.004	6184.006	1000	1800	400
10	6284.002	6284.005	6284.004	6284.006	1200	1800	400
11	6625.002	6625.005	6625.004	6625.006	600	2000	500
12	6825.002	6825.005	6825.004	6825.006	800	2000	500
13	6125.002	6125.005	6125.004	6125.006	1000	2000	500
14	6126.002	6126.005	6126.004	6126.006	1000	2000	600
15	6826.002	6826.005	6826.004	6826.006	800	2000	600
16	6626.002	6626.005	6626.004	6626.006	600	2000	600
17	6128.002	6128.005	6128.004	6128.006	1000	2000	800
18	6226.002	6226.005	6226.004	6226.006	1200	2000	600
19	6228.002	6228.005	6228.004	6228.006	1200	2000	800
20	6225.002	6225.005	6225.004	6225.006	1200	2000	500
21	6725.002	6725.005	6725.004	6725.006	700	2100	500
22	6605.002	6605.005	6605.004	6605.006	600	2200	500
23	6805.002	6805.005	6805.004	6805.006	800	2200	500
24	6105.002	6105.005	6105.004	6105.006	1000	2200	500
25	6205.002	6205.005	6205.004	6205.006	1200	2200	500
26	6606.002	6606.005	6606.004	6606.006	600	2200	600
27	6806.002	6806.005	6806.004	6806.006	800	2200	600
28	6106.002	6106.005	6106.004	6106.006	1000	2200	600
29	6206.002	6206.005	6206.004	6206.006	1200	2200	600
30	6808.002	6808.005	6808.004	6808.006	800	2200	800
31	6108.002	6108.005	6108.004	6108.006	1000	2200	800
32	6208.002	6208.005	6208.004	6208.006	1200	2200	800

\*后三位数字分别代表：002代表RAL7032、005代表RAL7035、004代表不锈钢304、006代表不锈钢316L

The last three digits stands for: 002

\*中间0代表标准后背板，如果是后单开门，需要把0改成1，如果是后双开门，中间0需要改成2

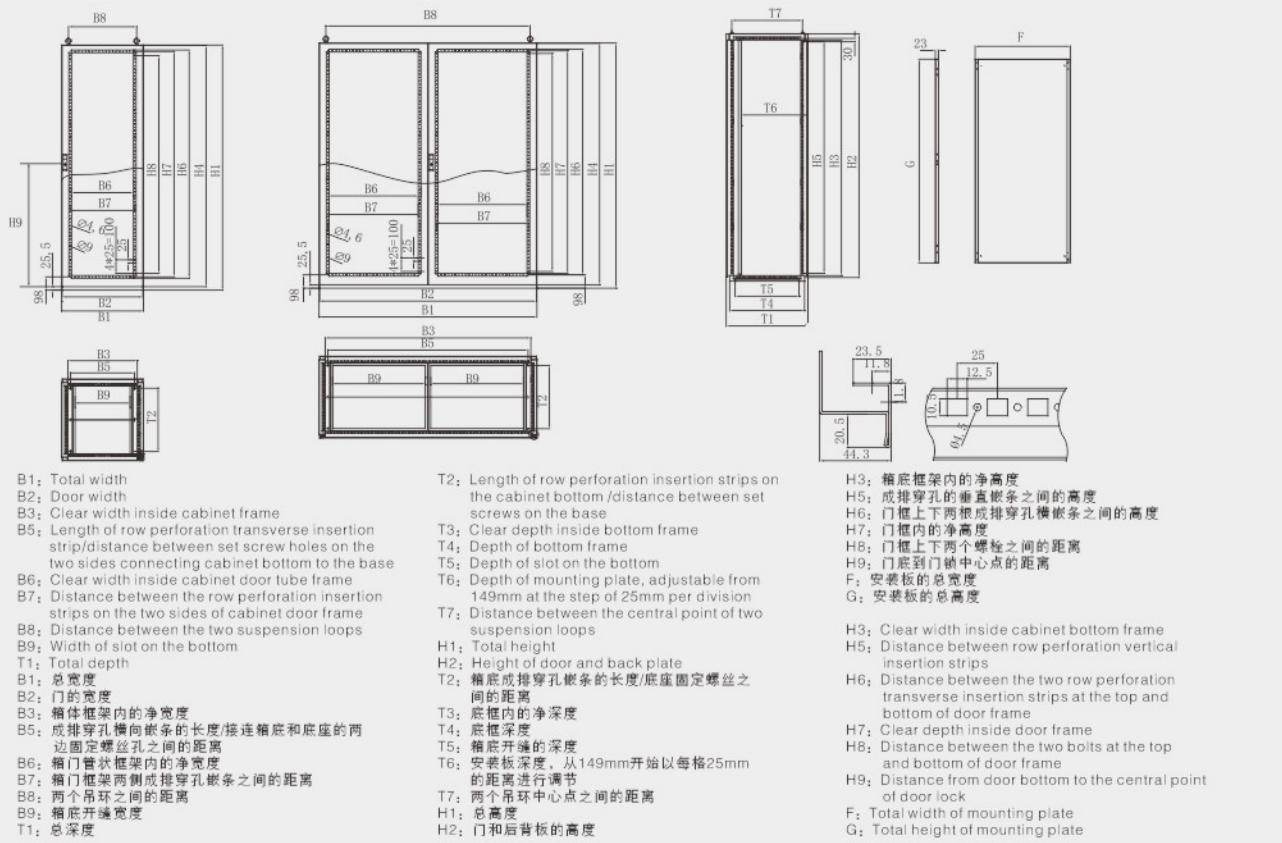
\*前面0代表标准安装板一块，如果需要双安装板，需要把0改成2即可。

The middle 0 on behalf of the standard single If it is after the single door, need to take 0 to 1,

If it is after the double door, The middle 0 need to change 2, In front of 0 represents a standard installation version. If you need to double version installed, need to take 0 to 2.

\*可定制非标产品 Nonstandard products are customizable

### ES系列细节图 ES series detail drawing



### ES系列尺寸规格表 ES series dimensions table

规格尺寸 Dimensions			宽 Width							高 Height							深 Depth				安装板 Mounting plate					
宽 Width	高 Height	深 Depth	B1	B2	B3	B5	B6	B7	B8	B9	H1	H2	H3	H5	H6	H7	H8	H9	T1	T2	T4	T5	T6	T7	F	G
600	1600	400	599	592	512	475	455	475	535	401	1610	1575	1512	1475	1450	1430	1400	798	402	275	349	269	349	325	499	1496
600	1600	500	599	592	512	475	455	475	535	401	1610	1575	1512	1475	1450	1430	1400	798	502	375	449	369	449	425	499	1496
600	1800	400	599	592	512	475	455	475	535	401	1810	1775	1712	1675	1650	1630	1600	898	402	275	349	269	349	325	499	1696
600	1800	500	599	592	512	475	455	475	535	401	1810	1775	1712	1675	1650	1630	1600	898	502	375	449	369	449	425	499	1696
600	2000	500	599	592	512	475	455	475	535	401	2010	1975	1912	1875	1850	1830	1800	998	502	375	449	369	449	425	499	1896
800	1800	500	799	792	712	675	655	675	735	601	1810	1575	1512	1475	1450	1430	1400	798	502	375	449	369	449	425	699	1496
800	1800	400	799	792	712	675	655	675	735	601	1810	1775	1712	1675	1650	1630	1600	898	402	275	349	269	349	325	699	1696
800	2000	500	799	792	712	675	655	675	735	601	2010	1975	1912	1875	1850	1830	1800	998	502	375	449	369	449	425	699	1896
1000	1800	400	999	992	912	875	855	875	935	801	1810	1775	1712	1675	1650	1630	1600	898	402	275	349	269	349	325	699	1696
800	1800	500	799	792	712	675	655	675	735	601	1810	1775	1712	1675	1650	1630	1600	898	502	375	449	369	449	425	699	1696
800	2000	600	799	792	712	675	655	675	735	601	2010	1975	1912	1875	1850	1830	1800	998	602	475	549	469	549	525	699	1896
1000	1800	400	999	992	912	875	855	875	935	801	1810	1775	1712	1675	1650	1630	1600	898	402	275	349	269	349	325	899	1696
1200	1600	500	1199	1192	1112	1075	1055	1075	1135	481	1610	1575	1512	1475	1450	1430	1400	798	502	375	449	369	449	425	1099	1496
1200	1800	400	1199	1192	1112	1075	1055	1075	1135	481	1810	1775	1712	1675	1650	1630	1600	898	402	275	349	269	349	325	1099	1696
1200	2000	500	1199	1192	1112	1075	1055	1075	1135	481	2010	1975	1912	1875	1850	1830	1800	998	502	375	449	369	449	425	1099	1896
1600	1800	400	1599	1592	1512	1475	1455	1475	1535	681	1810	1775	1712	1675	1650	1630	1600	898	402	275	349	269	349	325	1499	1696
1800	2000	500	1799	1792	1712	1675	1655	1675	1735	781	2010	1975	1912	1875	1850	1830	1800	998	502	375	449	369	449	425	1699	1896



材料 Material	冷轧钢板/不锈钢304或316L Cold-rolled steel sheet/ SUS 304 or 316L	标准配置 Standard configuration	前门、背板、镀锌安装板、框架、密封条、门锁、侧板(可选)、灯和行程开关 Front door, back plate, mounting plate, cabinet body, sealing strip, door lock and side plate (optional)
表面处理 Surface treatment	机柜磷化喷涂处理, 外部为粉末涂层, 颜色可分RAL7032和RAL7035两种纹理 / 拉丝 Cabinet is applied with etch primer and covered with powder coating on the outer side. Two color textures, RAL7032 and RAL7035, are available. The mounting plate is galvanized.	钢板厚度 Plate thickness	框架: 九折型材1.5mm 门板: 2.0mm 背板、侧板: 1.5mm 安装板: 2.5mm (可选3.0mm) Frame: nine-fold section 1.5mm Door plate: 2.0mm Back plate and side plate: 1.5mm Mounting plate: 2.5mm (3.0mm option)



## 产品特点 Features of products



- 箱门离地25mm
- 2.5mm厚的安装板，两边有20mm宽U型弯边，使得安装板强度更大，也便于搬运
- 箱底三块电缆导入盖板，可以相互替换，移动方便，易于导入电缆，易于开孔进线
- 箱门上有接地螺丝
- 承重铰链安装容易，换柜门也容易。箱门可开启130°
- 塑料滑引器可利用塑料滑引器通过导轨从正面将安装板推入箱内
- 坚固的长方形框架不但可以加强前门的强度，还可以用来固定安装电器元件(配合门安装横条使用)
- 背板能很容易地安装，用螺丝固定；还可换装箱门
- 连杆岔道锁，上、中、下三点锁紧柜门
- 密封圈：聚氨酯发泡密封胶条，确保防护等级
- 箱边与密封圈配合防止水和灰尘落入柜内
- (单门)左右互换开门设计，方便使用
- 标准模数化安装孔设计，方便安装
- 内灯，方便安装和检测
- 文件袋，方便现场工作
- 安装梁，不使用安装板同样可以进行柜内安装
- 风机及过滤网，保证柜内通风，防护等级IP54(自选项)
- 底座，拆卸、安装都很方便(自选项)
- 双安装板，安装容量大(自选项)
- 门安装条，方便安装
- 柜体全框架侧板、前后门和顶板、底板均可取下，能够适应各种要求，方便安装检修

- Cabinet door is 25mm above the ground.
- 2.5 mmss thick installation plate, both sides with U curve 20 mm width,making installation plate more strengthful, for easy transp ortation.
- Three box bottom cable entrance cover plate, can be interchanged, move conveniently, easily conducting cable, easy to open hole for cable entrance.
- There are ground bolt on the cabinet door.
- Bearing hinge, install easily, also change cabinet door easily. Cabinet door can open 130°
- Plastic slip inducer makes use of plastic slip inducer over guiding rail, can push installation plate inside the cabinet from front.
- Rigid rectangular frame can not only strengthen the strength of front door, but can also be used to fix installed electric appliance component (with the usage of horizontal door installation strip).
- Back plate can be installed easily, fixed with screw; cabinet door can also be changed.
- Turnoff lock can lock cabinet from top, middle and bottom three points.
- Seal ring: polyurethane sealing striip insures protection grade.

- Cabinet side frame added with sealing rings between water resistant side and cabinet door to prevent water and dust from entering cabinet.
- (Sngle door) left-right interchangeable opening design for ealy usage.
- Standardarized modular installation hole sesign, convenient installation.
- Internal light, convenient installation and inspection
- Document bag, convenient site work
- Installation beam, can also perform inside installation without installation plate
- Fan and filter element, ensure well cabinet inside ventilat-ion, protection grade IP54(selective).
- Base, fixed and detachable, convenient disassembly and installation(selective).
- Double installation plate, big installation capacity(selective).
- Door installation strip, convenient installation.
- All cabinet body side frame plate, front and back door and top plate as well as bottom plate can be removed, meet various requirement for easy installation and maintenance.



托架台面 Bracket table board    安装版上挂件 On the pendant    照明灯系统 light system    A3文件夹 A3 folder    活动底座 Movable base    门托架 Door bracket

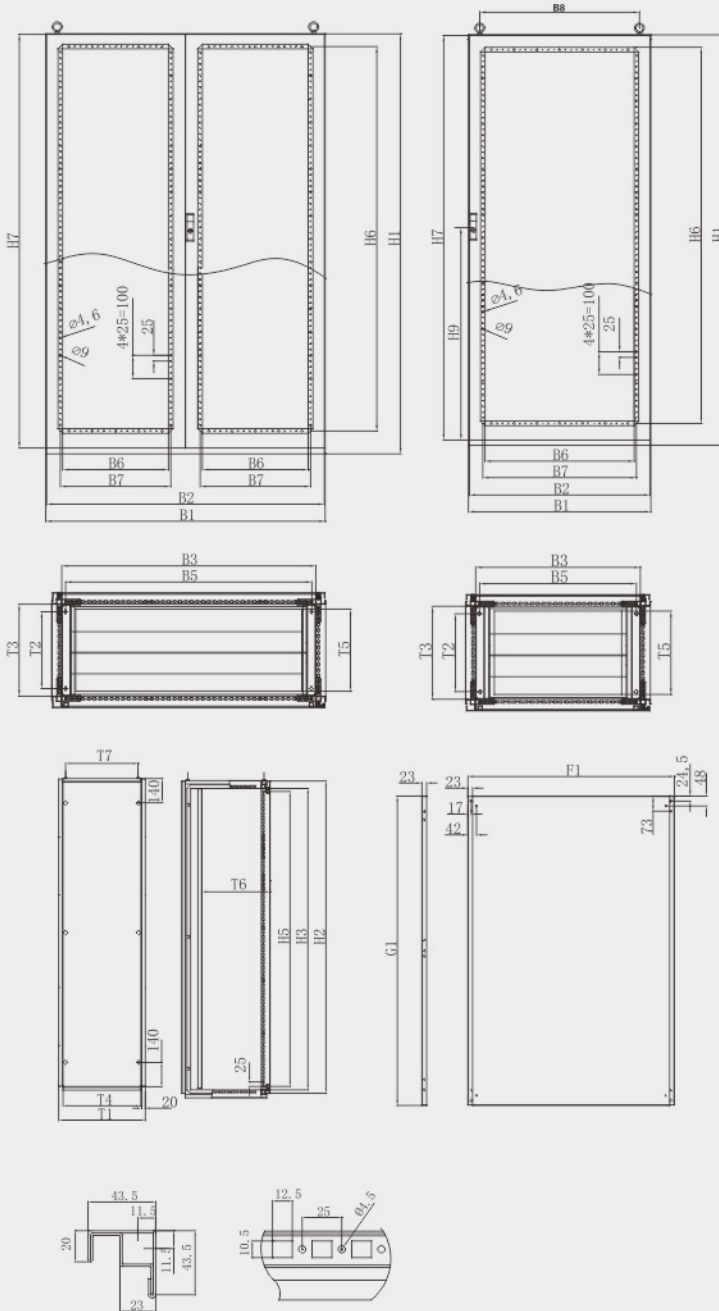
## PS系列订货规格表 PS series order specification table

序号 No.	订货号(RAL7032) Order No. (RAL 7032)	订货号(RAL7035) Order No. (RAL 7035)	订货号(不锈钢304) Order No. (SUS 304)	订货号(不锈钢316L) Order No. (SUS 316L)	宽 Width	高 Height	深 Depth
1	8666.002	8666.005	8666.004	8666.006	600	1600	400
2	8865.002	8865.005	8865.004	8865.006	800	1600	500
3	8165.002	8165.005	8165.004	8165.006	1200	1600	500
4	8684.002	8684.005	8684.004	8684.006	600	1800	400
5	8685.002	8685.005	8685.004	8685.006	600	1800	500
6	8785.002	8785.005	8785.004	8785.006	700	1800	500
7	8885.002	8885.005	8885.004	8885.006	800	1800	500
8	8884.002	8884.005	8884.004	8884.006	800	1800	400
9	8184.002	8184.005	8184.004	8184.006	1000	1800	400
10	8284.002	8284.005	8284.004	8284.006	1200	1800	400
11	8625.002	8625.005	8625.004	8625.006	600	2000	500
12	8825.002	8825.005	8825.004	8825.006	800	2000	500
13	8125.002	8125.005	8125.004	8125.006	1000	2000	500
14	8126.002	8126.005	8126.004	8126.006	1000	2000	600
15	8826.002	8826.005	8826.004	8826.006	800	2000	600
16	8626.002	8626.005	8626.004	8626.006	600	2000	600
17	8128.002	8128.005	8128.004	8128.006	1000	2000	800
18	8226.002	8226.005	8226.004	8226.006	1200	2000	600
19	8228.002	8228.005	8228.004	8228.006	1200	2000	800
20	8225.002	8225.005	8225.004	8225.006	1200	2000	500
21	8715.002	8715.005	8715.004	8715.006	700	2100	500
22	8605.002	8605.005	8605.004	8605.006	600	2200	500
23	8805.002	8805.005	8805.004	8805.006	800	2200	500
24	8105.002	8105.005	8105.004	8105.006	1000	2200	500
25	8205.002	8205.005	8205.004	8205.006	1200	2200	500
26	8606.002	8606.005	8606.004	8606.006	600	2200	600
27	8806.002	8806.005	8806.004	8806.006	800	2200	600
28	8106.002	8106.005	8106.004	8106.006	1000	2200	600
29	8206.002	8206.005	8206.004	8206.006	1200	2200	600
30	8808.002	8808.005	8808.004	8808.006	800	2200	800
31	8108.002	8108.005	8108.004	8108.006	1000	2200	800
32	8208.002	8208.005	8208.004	8208.006	1200	2200	800

\*后三位数字分别代表：002代表RAL7032、005代表RAL7035、004代表不锈钢304、006代表不锈钢316L  
The last three digits stands for: 002  
\*中间0代表标准后背板，如果是后单开门，需要把0改成1，如果是后双开门，中间0需要改成2  
\*前面0代表标准安装板一块，如果需要双安装板，需要把0改成2即可。  
The middle 0 on behalf of the standard single If it is after the single door, need to take 0 to 1, If it is after the double door, The middle 0 need to change 2. In front of 0 represents a standard installation version. If you need to double version installed, need to take 0 to 2.

\*可定制非标产品 Nonstandard products are customizable

## PS系列细节图 PS series detail drawing



- B1: 总宽度  
B2: 门的宽度  
B3: 箱体框架内的净宽度  
B5: 成排穿孔横向嵌条的长度/接连箱底和底座的两边固定螺丝孔之间的距离  
B6: 箱门管状框架内的净宽度  
B7: 箱门框架两侧成排穿孔嵌条之间的距离  
B8: 两个吊环之间的距离  
B9: 箱底开缝宽度  
T1: 总深度  
T2: 箱底成排穿孔嵌条的长度/底座固定螺丝之间的距离  
T5: 箱底开缝的深度  
T6: 安装板深度, 从149mm开始以每格25mm的距离进行调节  
T7: 两个吊环中心点之间的距离  
H1: 总高度  
H2: 门和后背箱的高度  
H3: 箱底框架内的净高度  
H5: 成排穿孔的垂直嵌条之间的高度  
H6: 门框上下两根成排穿孔横嵌条间的高度  
H7: 门框内的净高度  
H8: 门框上下两个螺栓之间的距离  
H9: 门底到门锁中心点的距离  
F1: 安装板的总宽度  
G1: 安装板的总高度
- B1: Total width  
B2: Door width  
B3: Clear width inside cabinet frame  
B5: Length of row punching transverse insertion strip/distance between set screw holes on the two sides connecting cabinet bottom to the base  
B6: Clear width inside door tube frame  
B7: Distance between the row perforation insertion strips on the two sides of cabinet door frame  
B8: Distance between the two suspension loops  
B9: Width of slot on the bottom  
T1: Total depth  
T2: Length of row perforation insertion strips on the cabinet bottom/distance between set screws on the base  
T5: Depth of slot on the bottom  
T6: Depth of mounting plate, adjustable from 149mm at the step of 25mm per division  
T7: Distance between the central point of two suspension loops  
H1: Total height  
H2: Height of door and back plate  
H3: Clear width inside cabinet bottom frame  
H5: Distance between row perforation vertical insertion strips  
H6: Distance between the two row perforation transverse insertion strips at the top and bottom of door frame  
H7: Clear depth inside door frame  
H8: Distance between the two bolts at the top and bottom of door frame  
H9: Distance from door bottom to the central point of door lock  
F1: Total width of mounting plate  
G1: Total height of mounting plate

## PS系列尺寸规格表 PS series dimensions table

规格尺寸 Dimensions			宽 Width									高 Height									深 Depth							安装板 Mounting plate	
宽 Width	高 Height	深 Depth	B1	B2	B3	B5	B6	B7	B8	B9	H1	H2	H3	H5	H6	H7	H8	H9	T1	T2	T3	T4	T5	T6	T7	F	G		
600	1800	400	599	592	512	475	455	475	535	401	1805	1775	1712	1675	1650	1630	1600	898	402	275	302	349	269	349-149	325	499	1696		
600	1800	500	599	592	512	475	455	475	535	401	1805	1775	1712	1675	1650	1630	1600	898	502	375	402	449	369	449-149	425	499	1696		
600	1800	600	599	592	512	475	455	475	535	401	1805	1775	1712	1675	1650	1630	1600	898	602	475	502	549	469	549-149	525	499	1696		
600	2000	400	599	592	512	475	455	475	535	401	2005	1975	1912	1875	1850	1830	1800	998	402	275	302	349	269	349-149	325	499	1896		
600	2000	500	599	592	512	475	455	475	535	401	2005	1975	1912	1875	1850	1830	1800	998	502	375	402	449	369	449-149	425	499	1896		
600	2000	600	599	592	512	475	455	475	535	401	2005	1975	1912	1875	1850	1830	1800	998	602	475	502	549	469	549-149	525	499	1896		
600	2200	600	599	592	512	475	455	475	535	401	2205	2175	2112	2075	2050	2030	2000	1098	602	475	502	549	469	549-149	525	499	2096		
800	1800	400	799	792	712	675	655	675	735	601	1805	1775	1712	1675	1650	1630	1600	898	402	275	302	349	269	349-149	325	699	1696		
800	1800	500	799	792	712	675	655	675	735	601	1805	1775	1712	1675	1650	1630	1600	898	502	375	402	449	369	449-149	425	699	1696		
800	1800	600	799	792	712	675	655	675	735	601	1805	1775	1712	1675	1650	1630	1600	898	602	475	502	549	469	549-149	525	699	1696		
800	2000	400	799	792	712	675	655	675	735	601	2005	1975	1912	1875	1850	1830	1800	998	402	275	302	349	269	349-149	325	699	1896		
800	2000	500	799	792	712	675	655	675	735	601	2005	1975	1912	1875	1850	1830	1800	998	502	375	402	449	369	449-149	425	699	1896		
800	2000	600	799	792	712	675	655	675	735	601	2005	1975	1912	1875	1850	1830	1800	998	602	475	502	549	469	549-149	525	699	1896		
800	2200	600	799	792	712	675	655	675	735	601	2205	2175	2112	2075	2050	2030	2000	1098	602	475	502	549	469	549-149	525	699	2096		
1000	1800	400	999	992	912	875	855	875	935	801	1805	1775	1712	1675	1650	1630	1600	898	402	275	302	349	269	349-149	325	899	1696		
1000	1800	500	999	992	912	875	855	875	935	801	1805	1775	1712	1675	1650	1630	1600	898	502	375	402	449	369	449-149	425	899	1696		
1000	1800	600	999	992	912	875	855	875	935	801	1805	1775	1712	1675	1650	1630	1600	898	602	475	502	549	469	549-149	525	899	1696		
1000	2000	400	999	992	912	875	855	875	935	801	2005	1975	1912	1875	1850	1830	1800	998	402	275	302	349	269	349-149	325	899	1896		
1000	2000	500	999	992	912	875	855	875	935	801	2005	1975	1912	1875	1850	1830	1800	998	502	375	402	449	369	449-149	425	899	1896		
1000	2000	600	999	992	912	875	855	875	935	801	2005	1975	1912	1875	1850	1830	1800	998	602	475	502	549	469	549-149	525	899	1896		
1000	2200	600	999	992	912	875	855	875	935	801	2205	2175	2112	2075	2050	2030	2000	1098	602	475	502	549	469	549-149	525	899	2096		





### 16折或18折型材

该型材为我公司独立研发拥有自主知识产权的新型高级型材。其采用对称三角形大空腔设计理念产，由2.0mm厚度优质冷轧钢板经过16折或18道弯曲辊轧成型。型材抗扭抗弯曲性能高，强度大，由该型材制作的架体动态重可达1800kg。

结构：三角形大空腔结构

料厚：2.0mm

使用性能：灵活，使用空间大，由该型材制作的控制柜可兼容9折型材柜配件。

防腐性能：三角形大空腔设计，无重叠面，表面处理时无死角，经过电泳表面处理的型材通过1000小时盐雾实验，具有高防腐性能

强度性能：三角形的稳固特性，以及2.0的料厚使该型材具有高强度的特性，由该型材制作的架体动态承重可达1800kg。

**高强度、高防腐、高防护**

**HIGH STRENGTH, HIGH ANTI-CORROSION, HIGH IP PROTECTION**

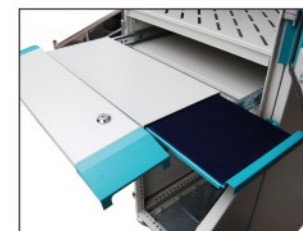


普通式

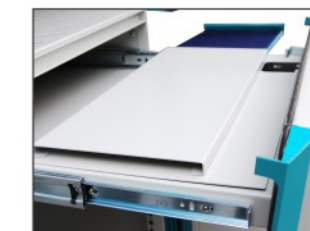
材料 Material	冷轧钢板、铝合金型材 Cold-roll steel sheet and aluminum alloy section
表面处理 Surface treatment	机柜磷化喷涂处理，外部为粉末涂层，颜色RAL7035，装饰条RAL5018两种织纹，层板与柜体同色 Cabinet is applied with etch primer and covered with powder coating on the outer side, and its color is RAL7035. The color of decoration strips is RAL5018. Two textures are available. The color of laminated plate is identical with that of cabinet body

标准配置 Standard configuration	柜体、后门板、前上玻璃门、前下钢板门、键盘抽屉、密封条、层板、门锁、脚轮(可选) Cabinet body, back door plate, front upper glass door, front lower steel door, keyboard drawer, sealing strips, laminated plate, door lock and casters (optional)
--------------------------------	---------------------------------------------------------------------------------------------------------------------------------------------------------------------------------------------------------------

钢板厚度 Plate thickness	装饰条：铝合金 门板：2.0mm 层板：2.0mm 框架：九折型材1.5mm Door plate: 2.0mm Laminated plate: 2.0mm Frame: nine-fold section 1.5mm
-------------------------	-------------------------------------------------------------------------------------------------------------------------------



抽出式鼠标垫  
Draw-out mouse pad



键盘抽屉  
Keyboard drawer



层板  
Laminated plate

## 产品特点 Features of products

- RAL7035的主体配合RAL5018的装饰条彰显柜体高端品质
- 监视区配有无反射安全玻璃确保安全可靠
- 九折型材的框架确保内部安装的灵活便利
- 前下柜门配用豪华摇把锁，检修门配用标准平面锁，搭配合理体现柜体设计人性化
- 极具人性化设计的键盘鼠标系统彰显柜体品质
- Main body in RAL7035 fitted with decoration strips in RAL5018 presents high-end quality of cabinet body
- Surveillance area is equipped with non-reflect safety glass to ensure safety and reliability
- Frame made of nine-fold section ensures flexibility and convenience of internal installation
- The front lower door is arranged with a luxury handle lock and the access door arranged with a standard flat lock, reasonably embodying humanized design of cabinet body.
- Humanized design of keyboard and mouse system reveals high quality of cabinet body

PC 柜豪华系列订货规格表: 柜前部两边铝型材  
PC cabinet Luxury Series Ordering Specifications: aluminum sides of the front cabinet

序号 No.	订货号 (RAL7035) Order No (RAL7035)		订货号 (不锈钢304) Order No (SUS304)		宽 Width	高 Height	深 Depth
	基于ES结构 Based on ES structure	基于PS结构 Based on PS structure	基于ES结构 Based on ES structure	基于PS结构 Based on PS structure			
1	7660.005	7660.015	7660.004	7660.014	600	1600	600
2	7665.005	7665.015	7665.004	7665.014	600	1600	650
3	7675.005	7675.015	7675.004	7675.014	600	1600	750
4	7685.005	7685.015	7685.004	7685.014	600	1600	850
5	7760.005	7760.015	7760.004	7760.014	600	1700	600
6	7765.005	7765.015	7765.004	7765.014	600	1700	650
7	7775.005	7775.015	7775.004	7775.014	600	1700	750
8	7785.005	7785.015	7785.004	7785.014	600	1700	850
9	7860.005	7860.015	7860.004	7860.014	600	1800	600
10	7865.005	7865.015	7865.004	7865.014	600	1800	650
11	7875.005	7875.015	7875.004	7875.014	600	1800	750
12	7885.005	7885.015	7885.004	7885.014	600	1800	850

## PC柜普通系列订货规格表 PC cabinet ordinary series Ordering Specifications

序号 No.	订货号 (RAL7035) Order No (RAL7035)		订货号 (不锈钢304) Order No (SUS304)		宽 Width	高 Height	深 Depth
	基于ES结构 Based on ES structure	基于PS结构 Based on PS structure	基于ES结构 Based on ES structure	基于PS结构 Based on PS structure			
1	7660.605	7660.815	7660.604	7660.814	600	1600	600
2	7665.605	7665.815	7665.604	7665.814	600	1600	650
3	7675.605	7675.815	7675.604	7675.814	600	1600	750
4	7685.605	7685.815	7685.604	7685.814	600	1600	850
5	7760.605	7760.815	7760.604	7760.814	600	1700	600
6	7765.605	7765.815	7765.604	7765.814	600	1700	650
7	7775.605	7775.815	7775.604	7775.814	600	1700	750
8	7785.605	7785.815	7785.604	7785.814	600	1700	850
9	7860.605	7860.815	7860.604	7860.814	600	1800	600
10	7865.605	7865.815	7865.604	7865.814	600	1800	650
11	7875.605	7875.815	7875.604	7875.814	600	1800	750
12	7885.605	7885.815	7885.604	7885.814	600	1800	850

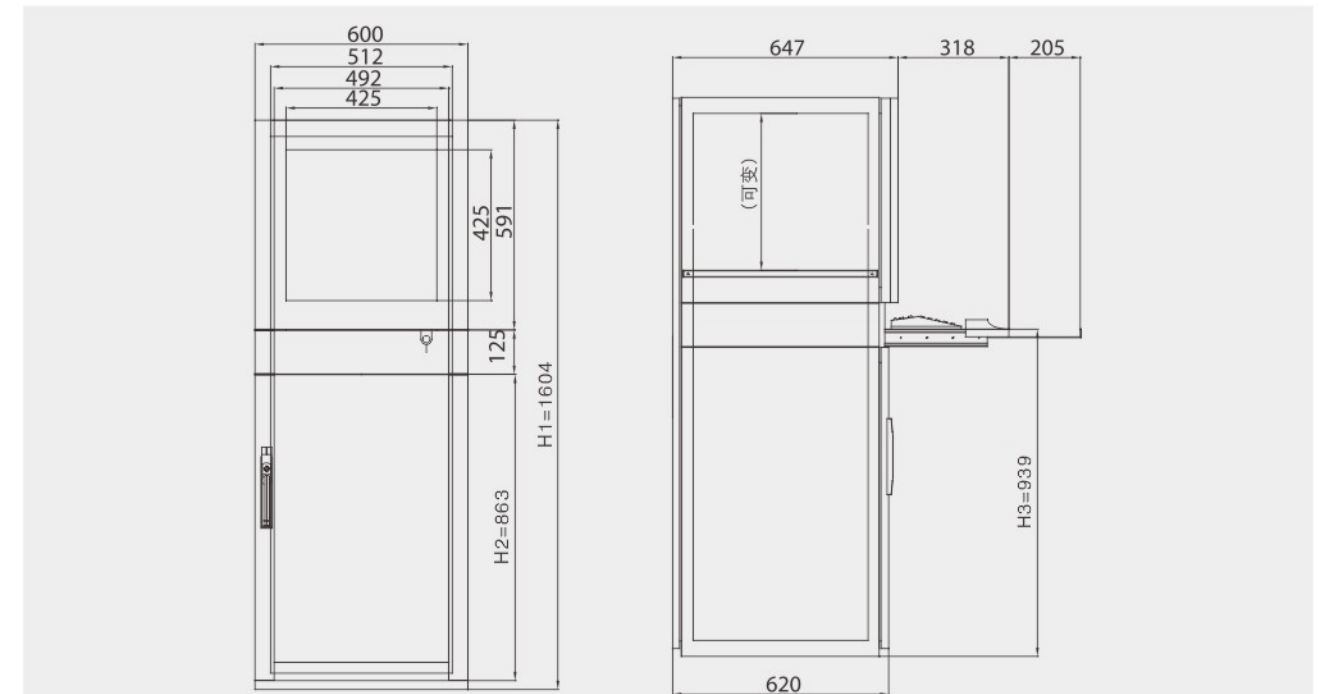
1. PC柜的颜色、尺寸、材质都可以定制，具体请洽询。

1. RAL7032 or special colors, sizes, stainless steel can be customized, specific please contact us.

2. ES表示：五折型材制作，侧板不可以拆卸；PS表示：九折型材制作，侧板可以拆卸。

2. ES said: half of the production profiles, plates not disassemble; PS said: 90% discount production profiles, plates can be removed.

## PC系列细节图 PC series detail drawing



H1: 总高度  
H2: 前下门的高度  
H3: 键盘抽屉离地的高度

H1: Total height  
H2: Height of front lower door  
H3: Distance of keyboard drawer from the ground





材料 Material	冷轧钢板 Cold rolling sheet plate	标准配置 Standard configuration	安装板一块(镀锌、烤漆)、前双开门后背板(600宽为前单开门)、盖板支撑、简易包装 One installation plate(galvanized)、Front and back double-opening back plate(600 width front single opening door)、cover plate frame、simple packing
表面处理 Surface treatment	磷化、喷塑或烤漆 Plastic spraying	钢板厚度 Plate thickness	门: 2.0mm 箱体: 1.5mm 安装板: 2.5mm Door: 2.0mm Cabinet: 1.5mm Installation plate: 2.5mm
柜体颜色 Cabinet color	RAL7032(喷塑)或7035 或客户自选 不锈钢表面拉丝 Standard color RAL7032 (plastic spraying) or 7035 or customer selection		



液压支撑  
Hydraulic support



安装板  
Mounting plate



PU发泡密封条  
PU foaming sealing strip

## 产品特点 Features of products

- 平台 and 上部斜面都可以换成不锈钢加工, 增加美观和耐腐蚀性
  - 前(后)门可开门, 方便安装
  - 内设安装板
  - 门安装嵌条: 已打好装配孔的嵌条垂直焊接在箱门的两侧, 使用M4自攻螺丝, 方便安装
  - 密封圈: 聚氨酯发泡密封胶条, 性能可靠
  - 门可开启110°
  - 槽型箱边: 防止灰尘和水进入箱内, 并且完美的形成密封圈配合, 形成对箱内的防护
  - (单)门可左右互换安装
  - 底部凸台盖板进线, 可拆下开孔并配有密封圈, 防护等级IP54
  - 镀锌安装板也可用桔黄色烤漆
  - 台面锁也可改到前下部, 但后面一定是密封式
- Platform and upper slope can be replaced with stainless steel processing, increase the beautiful and corrosion resistance.
  - Door can be opened in the front and from the back for easy installation.
  - With internal installation strip
  - Install door panel strip: Weld panel strip with assembly holes perpendicularly to the sides of cabinet door, use M4 self tapping screw for easy installation.
  - Seal ring: Polyurethane foaming seal strip seals reliably.
  - Door can be open to 110°
  - Solt cabinet side: Preven dust and water from entering the cabinet, and can seal completely with sealing strip, forming protection inside the cabinet.
  - (single) opening) door can change from left to right.
  - Bottom convex plate line entrance, dismantlable bottom opening with seal ring.
  - Installation plate can also use orange yellow flating agent

## AP 系列订货规格表 AP series order specification table

序号 No.	订货号 Order No.				宽 Width	高 Height	深 Depth	特征 Character	备注 Note
	RAL7032	RAL7035	不锈钢304	不锈钢306L					
1	7694.002	7694.005	7694.004	7694.006	600	960-1000	400-480	单开门	订货时请注明AP-1/2, 默认情况下为AP-1
2	7894.002	7894.005	7894.004	7894.006	800	960-1000	400-480	单开门	
3	7194.002	7194.005	7194.004	7194.006	1000	960-1000	400-480	双开门	
4	7294.002	7294.005	7294.004	7294.006	1200	960-1000	400-480	双开门	

## AP-1系列尺寸规格表 AP-1 series dimension table

序号 No.	订规格尺寸 Dimension			高度 Height					安装板 Mounting plate		备注 Note
	宽 Width	高 Height	深 Depth	B1	B2	B3	B4	B5	F1	F2	
1	600	960	400/480	600	557	560	560	535	500	400	前后开门
2	800	960	400/480	800	757	760	760	735	700	600	
3	1000	960	400/480	1000	757	960	960	935	900	800	
4	1200	960	400/480	1200	1157	1160	1160	1135	1100	1000	

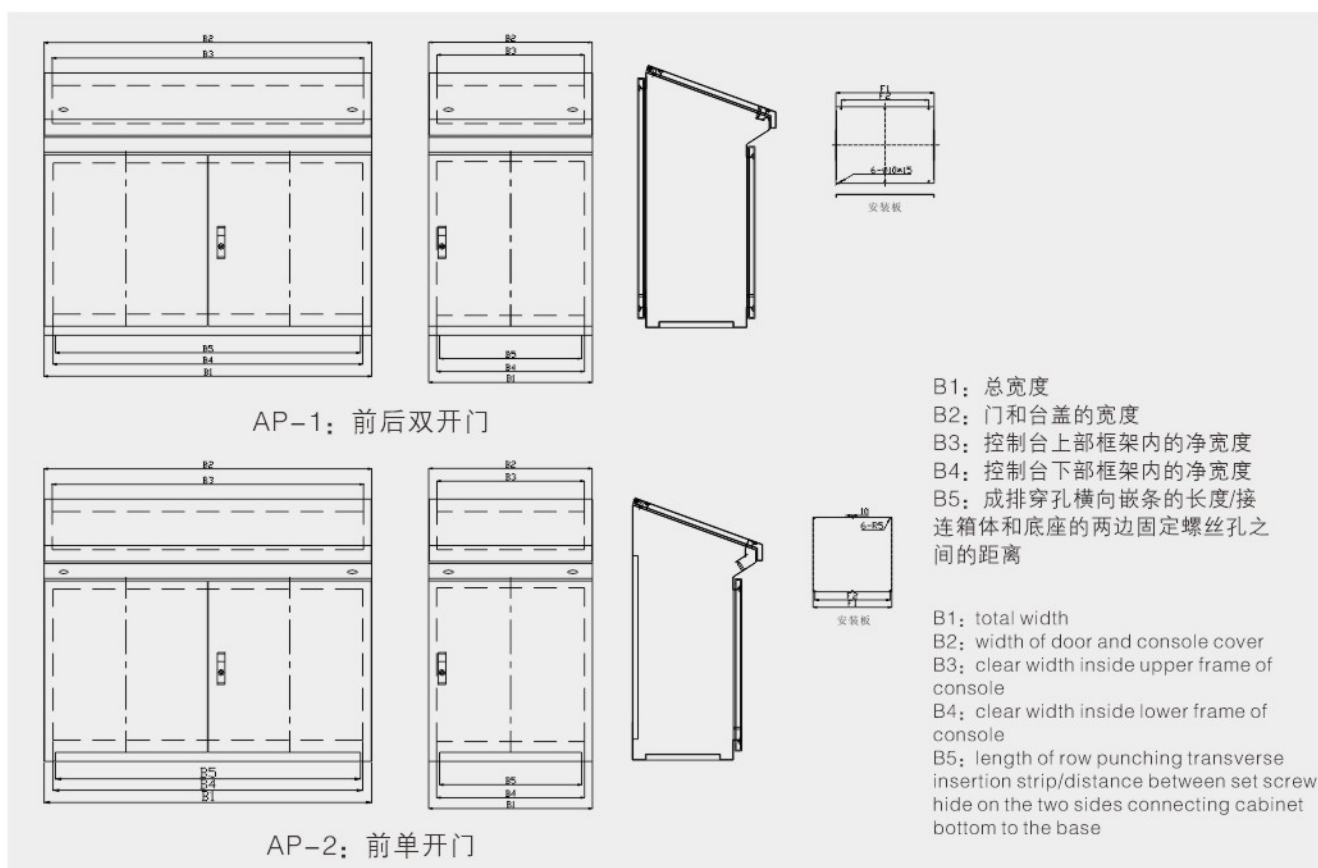
## AP-2系列尺寸规格表 AP-2 series dimension table

序号 No.	订规格尺寸 Dimension			高度 Height					安装板 Mounting plate		备注 Note
	宽 Width	高 Height	深 Depth	B1	B2	B3	B4	B5	F1	F2	
1	600	960	400/480	600	557	560	560	555	530	475	前开门
2	800	960	400/480	800	757	760	760	755	730	675	
3	1000	960	400/480	1000	757	960	960	955	930	875	
4	1200	960	400/480	1200	1157	1160	1160	1155	1130	1075	

## AP 系列细节图 AP installation board diagrama



## AP 系列细节图 AP series detail drawing



材料 Material	冷轧钢板/不锈钢304或316L Cold rolled steel sheet USU 304 or 316L	标准配置 Standard configuration	上中下三柜组合；上柜配前门一块，安装板一块，限位件两件；中柜配操作面板一块(可打开)液压支撑两件；下柜配前门一块，镀白锌安装板一块。 Upper,middle and lower three cabinet combination; Upper cabinet is equipped with a front door, an installation plate, two limiting piece; Middle cabinet is equipped with a front door, an installation plate; Lower cabinet is equipped with a front door, an installation plate; Simple packing.
表面处理 Surface treatment	台体磷化喷涂处理，外部为粉末涂层，颜色可分RAL7032和RAL7035两种织纹 / 拉丝 Cabinet is applied with etch primer and covered with powder coating on the outer side. Two color textures, RAL7032 and RAL7035, are available. The mounting plate is galvanized.	钢板厚度 Plate thickness	箱体: 2.0mm 门板: 2.0mm 操作台面: 2.0mm 安装板: 2.5mm Cabinet body: 2.0mm Door plate: 2.0mm Operation console board: 2.0mm Mounting plate: 2.5mm

水平面液压支撑  
Hydraulic support for horizontal table board上台面拉杆支撑  
Draw bar support of upper table board水平面锁系统  
Lock system of upper table board上台面锁系统  
Lock system of upper table boardPU发泡密封条  
PU foaming sealing strip上台面安装板  
Mounting plate of upper table board

### 产品特点 Features of products

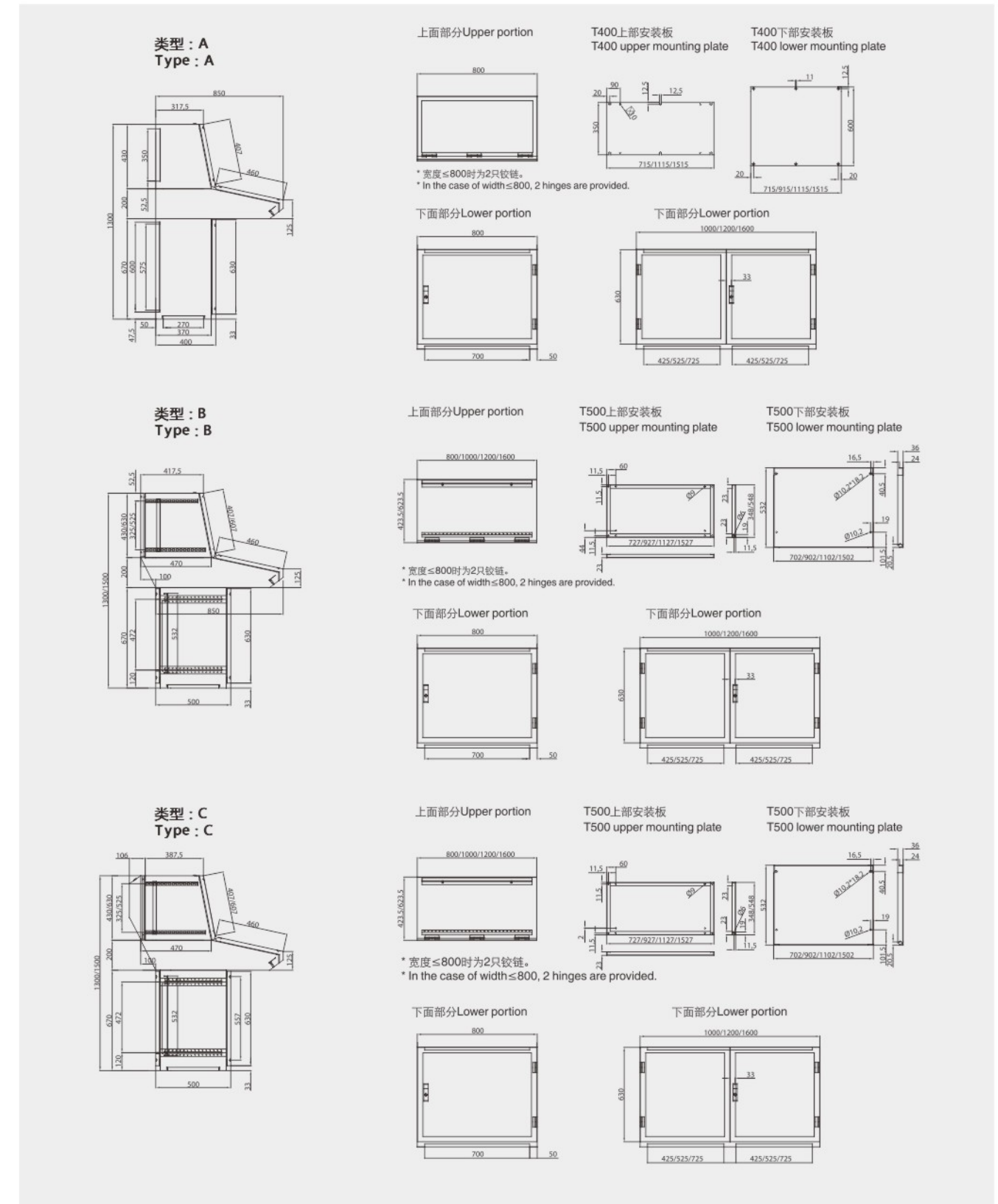
- 平台和上部斜面都可以换成不锈钢加工，增加美观和耐腐蚀性
- Platform and upper slope can be replaced with stainless steel processing, increase the beautiful and corrosion resistance
- 前开门及操作面板可打开，方便安装；
- Front open door and operating panel can be opened, convenient to install;
- 内部上面和下面各配一块安装板，安装拆卸方便；
- Internal top and bottom equipped with an internal installation, convenient to install and disassemble.
- 门安装嵌条已打好孔，装配孔的嵌条焊接在门板内的两侧和操作面板内的上下位置。并借助于安装条使用门板及盖板的安装更加灵活，走线更加方便；
- Door panel strip perforated, panel strip with assemble holes perpendicularly welded to the sides of door and upper and lower positions of operation panel cover. Relying on panel strip, it makes door plate and cover installation more flexible, line orientation more convenient;
- 防水边与门体。聚氨酯发泡密封条确保了柜体的防护等级；
- Water proof side and door. polyurethane foaming sealant ensures cabinet protection grade;
- 原装进口的液压支撑，使柜体大大提高了档次，也更好的体现了柜体的人性化设计；
- Original import operation surface cover hydraulic support, promoting cabinet class extensively, reveal humanized cabinet design.

### SP系列订货规格表 SP series order specification table

类型 Type	序号 No.	订货号(RAL7032) Order No.(RAL7032)	订货号(RAL7035) Order No.(RAL7035)	订货号(不锈钢304) Order No.(SUS 304)	订货号(不锈钢316L) Order No.(SUS 316L)	宽 Width	高 Height	深 Depth
A	1	7838.002	7838.005	7838.004	7838.006	800	1300	400/850
	2	7038.002	7038.005	7038.004	7038.006	1000	1300	400/850
	3	7238.002	7238.005	7238.004	7238.006	1200	1300	400/850
	4	7638.002	7638.005	7638.004	7638.006	1600	1300	400/850
B	1	7839.002	7839.005	7839.004	7839.006	800	1300	500/950
	2	7039.002	7039.005	7039.004	7039.006	1000	1300	500/950
	3	7239.002	7239.005	7239.004	7239.006	1200	1300	500/950
	4	7639.002	7639.005	7639.004	7639.006	1600	1300	500/950
	5	7859.002	7859.005	7859.004	7859.006	800	1500	500/950
	6	7059.002	7059.005	7059.004	7059.006	1000	1500	500/950
	7	7259.002	7259.005	7259.004	7259.006	1200	1500	500/950
	8	7659.002	7659.005	7659.004	7659.006	1600	1500	500/950
C	1	7831.002	7831.005	7831.004	7831.006	800	1300	500/1050
	2	7031.002	7031.005	7031.004	7031.006	1000	1300	500/1050
	3	7231.002	7231.005	7231.004	7231.006	1200	1300	500/1050
	4	7631.002	7631.005	7631.004	7631.006	1600	1300	500/1050
	5	7851.002	7851.005	7851.004	7851.006	800	1500	500/1050
	6	7051.002	7051.005	7051.004	7051.006	1000	1500	500/1050
	7	7251.002	7251.005	7251.004	7251.006	1200	1500	500/1050
	8	7651.002	7651.005	7651.004	7651.006	1600	1500	500/1050

\*可定制非标产品 Nonstandard products are customizable

### SP系列细节图 SP series detail drawing





宏艳电气  
JXHY1111.COM



宏艳电气  
JXHY1111.COM



材料 Material	冷轧钢板/不锈钢304或316L Cold rolled steel sheet/ SUS 304 or 316L	标准配置 Standard configuration	安装板一块(镀白锌、烤漆)、前后 开门,操作面盖板可打开并配有液压 支撑、简易包装 mounting plate 1(zinc-plated stove -enameled) front and rear door.The operation panel can be opened and support with hydraulic pressure simple packing
表面处理 Surface treatment	台体磷化喷涂处理,外部为粉末涂层, 颜色可分RAL7032和RAL7035两种两 种织纹/拉丝 Cabinet is applied with etch primer and covered with powder coating on the outer side. Two color textures, RAL7032 and RAL7035, are available. The mounting plate is galvanized.	钢板厚度 Plate thickness	门2.0mm、箱体1.5mm、安装板2.5mm Door 2.0mm Enclosure 2.0mm Mounting plate 2.5mm



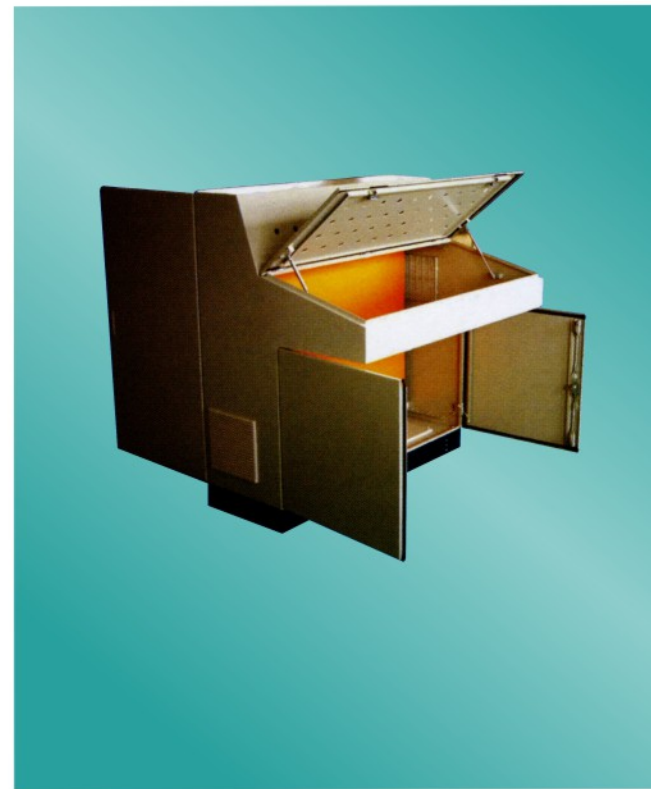
钢制或液压支撑  
Hydraulic support



安装板  
Mounting plate



PU发泡密封条  
PU foaming sealing strip



### 产品特点 Features of products

- 平台和上部斜面都可以换成不锈钢加工,增加美观和耐腐蚀性
- 前后开门及操作面盖板可打开,方便安装;
- 内置安装板可前后移动,使内部安装更加灵活;
- 门安装嵌条:已打好装配孔的嵌条焊接于门板的两侧和操作面盖板的上下位置,并借助于安装条,使门板及盖板的安装更加灵活,走线更加方便;
- 槽型箱边与门体聚氨酯发泡密封胶条确保了柜体的防护等级;
- 门板可左右互换安装,加强了柜体的实用性;
- 原装进口操作面盖板液压支撑,大大提升了柜体档次,更好的体现了柜体的人性化设计。
- Platform and upper slope can be replaced with stainless steel processing, increase the beautiful and corrosion resistance
- front/rear door and operation panel can be opened for convenient installation.
- interior mounting plate can move back and forth thus the installation can be more flexible.
- door installation strip perforated strips welded on the door sides and the up/down position of operation panel which makes the assembly more flexible and routing more conveniently.
- slot-hem and the matching foamed pu seal secure the protection level.
- left and right side exchangeable door installation makes the enclosure more practical.
- imported hydraulic pressure support of operation panel upgrades the enclosure and displays the humanized design idea.

### TP系列订货规格表 TP series order specification table

序号 No.	订货号 (RAL7032) Order No. (RAL7032)	订货号 (RAL7035) Order No. (RAL7035)	订货号(不锈钢304) Order No. (SUS 304)	订货号(不锈钢316L) Order No. (SUS 316L)	宽 Width	高 Height	深 Depth
1	7625.002	7625.005	7625.004	7625.006	600	1200	500/1000
2	7825.002	7825.005	7825.004	7825.006	800	1200	500/1000
3	7025.002	7025.005	7025.004	7025.006	1000	1200	500/1000
4	7225.002	7225.005	7225.004	7225.006	1200	1200	500/1000
5	7645.002	7645.005	7645.004	7645.006	600	1400	500/1000
6	7845.002	7845.005	7845.004	7845.006	800	1400	500/1000
7	7045.002	7045.005	7045.004	7045.006	1000	1400	500/1000
8	7445.002	7445.005	7445.004	7445.006	1400	1400	500/1000

注:操作台,箱体及门板材料厚度为1.5MM;前上面板为2.0MM;安装板厚度为2.5MM;  
其余佰希凌标准

\*可定制非标产品 Nonstandard products are customizable

## DC 悬臂箱

### DC cantilever box



宏艳电气  
JXHY1111.COM



材料 Material	箱体和门，酸洗磷化，静电喷涂 颜色RAL7035 装饰手柄：铝，经粉末涂层，颜色RAL7030、RAL5018或与柜同色 封闭罩：ABS树脂，颜色RAL7035 Cabinet and doors, acid phosphate, electrostatic spraying color RAL7035 decorative handle: aluminum, the powder coating color RAL7030, RAL5018 or cabinet with colored enclosure: ABS resin, color RAL7035	面板 Panel	碳钢喷涂、不锈钢拉丝、铝板氧化或喷砂、PVC覆膜。门：1 前面板开门，锁在侧面；2 后面板开门，锁在后面板上。 Door: a front panel door, lock the side; after two panel door, locks on the rear panel.
标准配置 Standard configuration	箱体、锁、侧面装饰柱以及封闭罩。 无安装版 cabinet, lock, side decorative columns and enclosure. Panel steel spraying, no mounting plate.	适用 Apply	包装机械、汽车设备、电缆设备、装备制造 Packaging machinery, automotive equipment, cable equipment, solar equipment, equipment manufacturing

### 产品说明 Product Description

- DC悬臂箱是替代基于AE操作门箱体的选择，带可以旋转的后门，也可以前门开启。
- 可采用碳钢喷涂、铝制阳极氧化、不锈钢拉丝、丝网印刷或者覆膜处理。
- 维护服务和安装设备的最佳途径，可在箱体内部设置第二层安装面。用于内部扩张的附件。
- 面板可以单独装卸，为以后升级节省费用。
- 多种供货尺寸



## DC 悬臂箱

### DC cantilever box

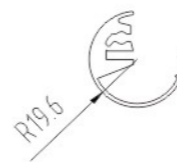
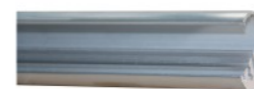


宏艳电气  
JXHY1111.COM

### DC 系列订货规格表 DC series order specification table

序号 No.	订货号 Order No.		宽 Width(W)	高 Height(H)	深 Depth	不锈钢面板 Stainless steel panel	铝面板 Aluminum panels	PVC覆膜 PVC film
	后开门 After the door	前开门 Front door						
1	6540.200	6540.000	300	200	155	6534.004	6534.003	6534.005
2	6534.200	6534.000	300	200	180	6534.004	6534.003	6534.005
3	6535.200	6535.000	300	300	180	6535.004	6535.003	6535.005
4	6537.200	6537.000	300	400	180	6537.004	6537.003	6537.005
5	6531.200	6531.000	380	300	210	6531.004	6531.003	6531.005
6	6530.200	6530.000	380	380	210	6530.004	6530.003	6530.005
7	6536.200	6536.000	400	300	180	6537.004	6537.003	6537.005
8	6538.200	6538.000	400	400	180	6538.004	6538.003	6538.005
9	6544.200	6544.000	500	500	180	6532.004	6532.003	6532.005
10	6532.200	6532.000	500	500	210	6532.004	6532.003	6532.005
11	6533.200	6533.000	600	380	210	6533.004	6533.003	6533.005

铝装饰柱 (无颜色)  
Aluminum decorative columns (no color)



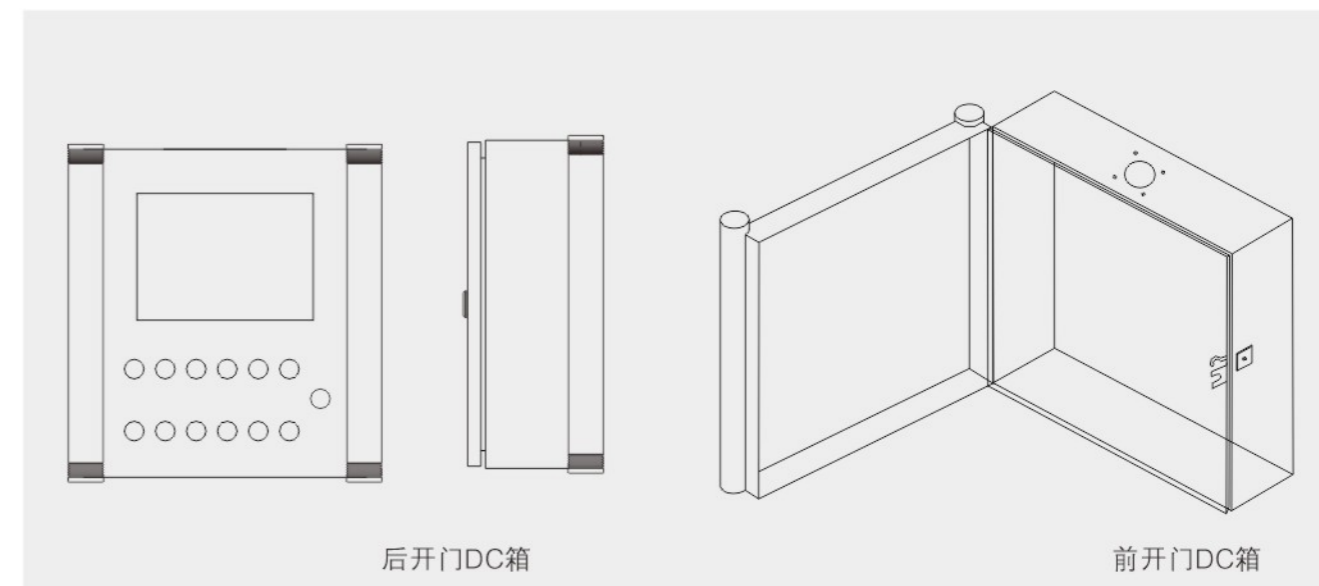
订货号 Order No.	长度 (L) MM
6530.301	200
6530.302	300
6530.303	380
6530.304	400
6530.305	450
6530.306	500
6530.307	1000
6530.308	2000

封闭罩  
Enclosure

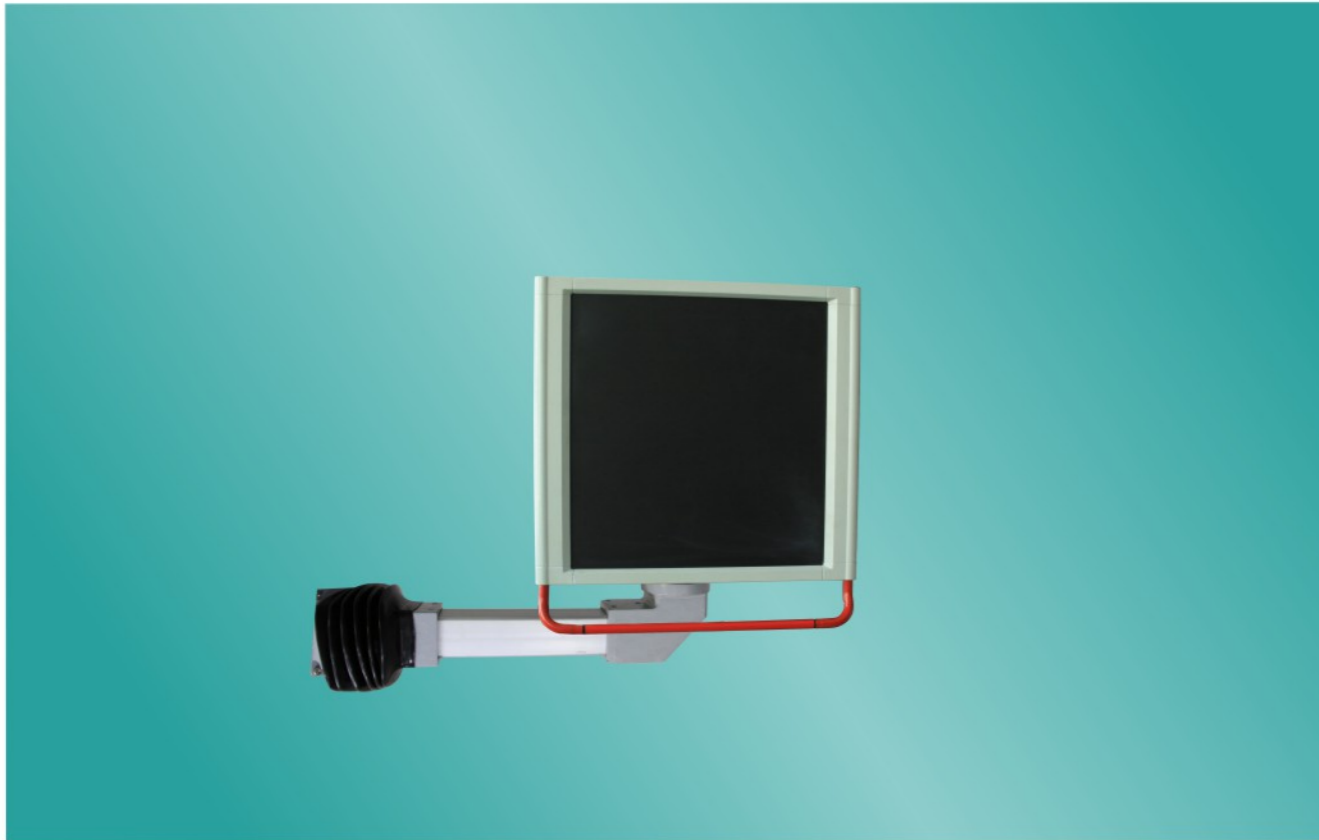


	订货号 Order No.	说明 Description
左 Left	6530.309	尼龙树脂
右 Right	6530.310	尼龙树脂
螺钉 Screw	6530.311	自锁紧 M5*45 Self-locking M5*45

### DC系列细节图 DC series detail drawing



• Various sizes available



表面处理 Surface treatment	材料厚度和表面处理：面板2MM碳钢喷涂（标配）、304不锈钢2.5MM拉丝、铝板3.0阳极氧化、PVC覆膜 Material thickness and surface treatment: panel 2MM carbon coating (standard), 304 stainless steel 2.5MM brushed, anodized aluminum 3.0, PVC film
颜色 Color	箱体RAL7035 拉手 红色 RAL7035 Box Red handle

面板 Panel	铝面板喷沙、不锈钢拉丝、碳钢喷塑、覆膜 Panel sandblast aluminum, SUS wire drawing, steel spray
适用 Apply	数控系统（西门子、发那科、三菱、发格等）。 CNC system (Siemens, Fanuc, Mitsubishi, Fagor, etc.).

### 产品说明 Product Description

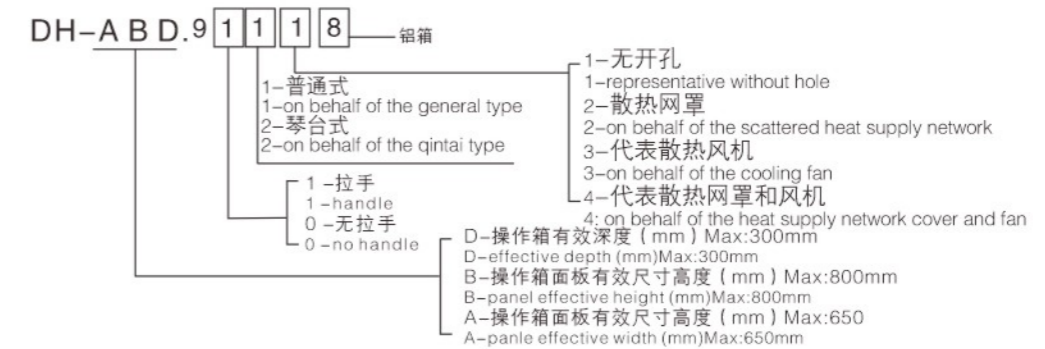
- DH 操作箱是一款造型独特、脱离传统正正方方理念的操作箱
- 采用铝合金面框与钣金箱体结合的设计方式，既有铝合金美观又具钢性的坚固
- 操作箱拉手位于正面下部，前面框人性化设计，面框左右边形似拉手，便于操作；
- 颜色可订制

- DH operation box is a unique, out of tradition, is the concept of the operation side square box
- Surface using aluminum alloy frame and sheet metal cabinet design combines both the beauty of aluminum alloy of steel and has a strong
- Positive at the lower part of handle; in front of the box user-friendly design; face about the shape of the box handle, ease of operation;

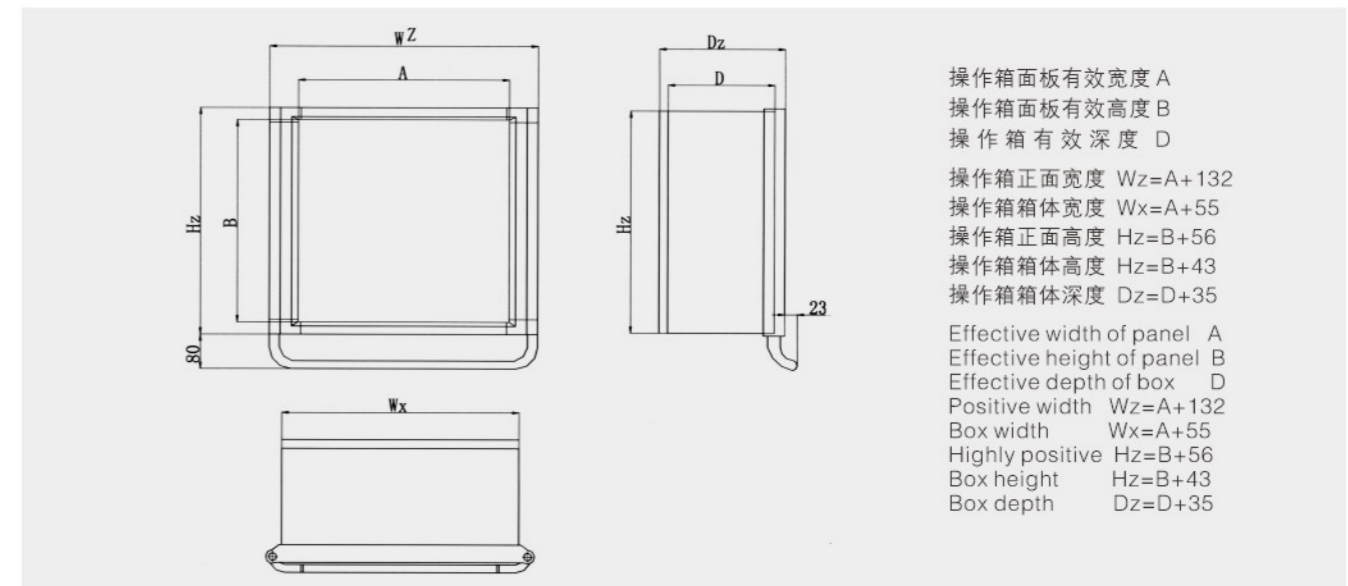
### 客户订货时一定要提供的 Customers must be provided when ordering

- 整体面板布局
- 箱体深度，开孔尺寸和数显系统等外形尺寸图
- 安装方式图：吊装、支撑、侧装、其他
- 选配的是：60、80、48、MT-1、MT-2、MT-3 其他系统
- Overall panel layout
- Cabinet depth, hole size digital display system Dimensions
- Installation diagram: lifting, supporting, side-mounted, other
- Optional are: 60,80,48, MT-1, MT-2, MT-3 to other systems

### 特殊规格订货 Special order specifications



### 产品尺寸图 Product Size Chart





表面处理 Surface treatment	材料厚度和表面处理: 面板2MM碳钢喷涂 (标配)、304不锈钢2.5MM拉丝、铝板3.0阳极氧化、PVC覆膜 Material thickness and surface treatment: panel 2MM carbon coating (standard), 304 stainless steel 2.5MM brushed, anodized aluminum 3.0, PVC film	面板 Panel	铝面板喷沙、不锈钢拉丝、碳钢喷塑 Panel sandblast aluminum, SUS wire drawing, steel spray
颜色 Color	箱体RAL7035 拉手 红色 RAL7035 Box Red handle	适用 Apply	数控系统 (西门子、发那科、三菱、发格等)。 CNC system (Siemens, Fanuc, Mitsubishi, Fagor, etc.).

### 产品说明 Product Description

DF型悬臂箱造型独特、脱离传统正正方方理念。采用合金与钣金结合的设计方式，正面铝合金面框，后面钣金箱体。既有铝合金美观具有钢性坚固。可配置48、60、80系列悬挂和MT-1、MT-2、MT-3支架；前面框四周边缘嵌有装饰橡胶条，美观防撞、增强防护等级功能。

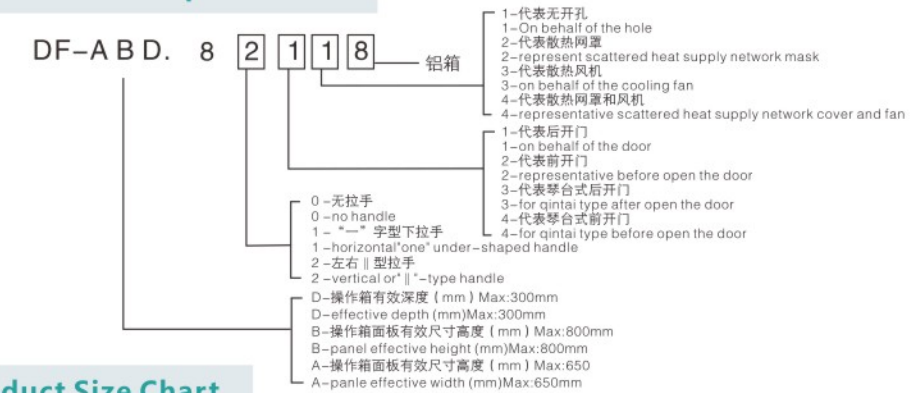
DF to operate unique box, from the traditional to the concept of being square. The use of alloys with the combination of sheet metal design, a positive frame of aluminum alloy surface, behind the sheet metal box. Aluminum alloy are both beautiful and sturdy with steel. 48,60,80 Series can be configured to fly and the MT-1,MT-2、MT-3bracket; around the edge of the box in front of decorative rubber embedded, anti-aesthetic impact, and enhance level of functional protection.

### 客户订货时一定要提供的 Customers must be provided when ordering

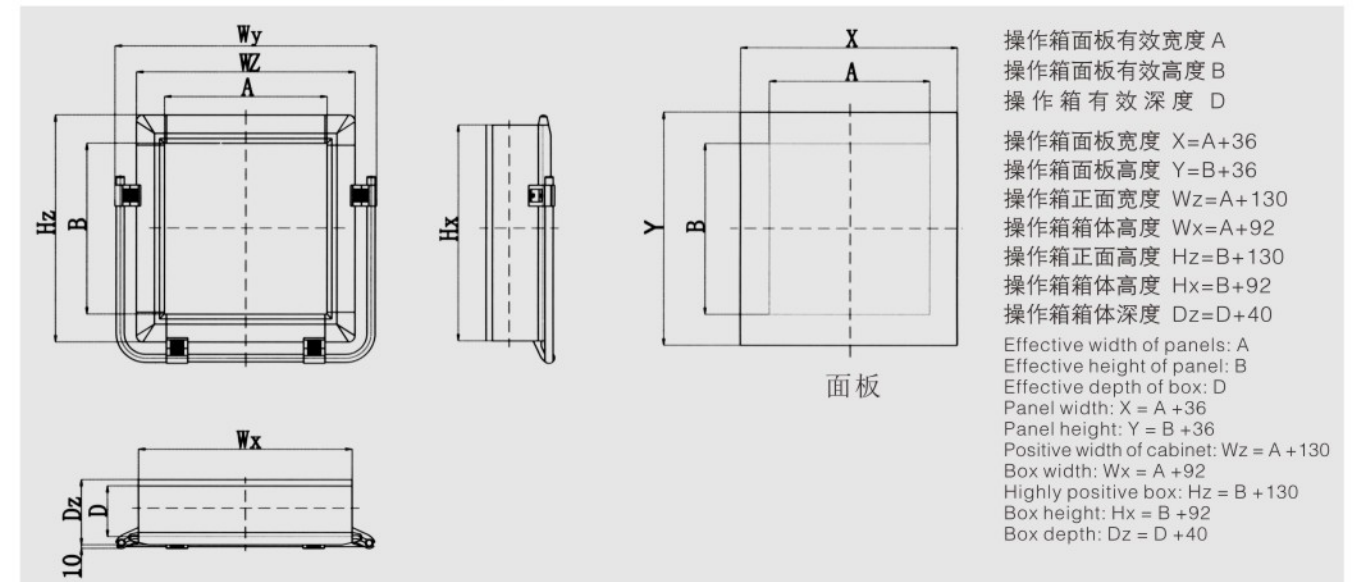
- 整体面板布局图
- 箱体深度，开孔尺寸和数显系统等外形尺寸图
- 安装方式图：吊装、支撑、侧装、其他
- 选配的是：60、80、48、MT-1、MT-2、MT-3 其他系统

- Overall panel layout
- Cabinet depth, hole size digital display system Dimensions
- Installation diagram: lifting, supporting, side-mounted, other
- Optional are: 60,80,48, MT-1, MT-2, MT-3 to other systems

### 特殊规格订货 Special order specifications



### 产品尺寸图 Product Size Chart



## MT-1 型移动支架

### MT-1 type mobile frame



#### 产品说明 Product Description

MT-1支架由铝合金与钣金组合而成；支架底部带2个脚轮，便于移动；支架上可装配TV、CL、MV操作箱；箱体可前后调整角度，调整定位固定后，不能随意转动；电缆从支架内部通过至底部；底部后有一个φ50供出线的电缆接头或软管接头；支架上可装配DC、DH、DF、DE操作箱。

MT-1 bracket from aluminum alloy with a combination of sheet metal; stent at the bottom with 2 casters for easy movement; stent assembly can be TV, CL, MV operation box; box can be adjusted before and after the point of view, adjusting the fixed position, can not be rotation; cables can be passed to the bottom of the internal stent; at the bottom of a post-50 connector for round cable or hose connector; Product description: suitable for DC, DF, DH, DE cantilever box

材料：铝支架、翻转支撑；碳钢底座、前后面板；ABS树脂线盒、ABS波纹管、橡胶嵌条；静音尼龙脚轮 颜色：黑、RAL7035

Material: aluminum bracket, flip support; Carbon steel base, front and rear panel; ABS resin cartridge, ABS panels corrugated pipe, rubber; Mute nylon casters color: black, RAL7035

标准配置：支架、脚轮、线盒

Standard configuration: stents, castor, box

承重：最大50公斤（视具体情况而定）

Bearing: the largest 50 kilograms (depending on the specific situation)

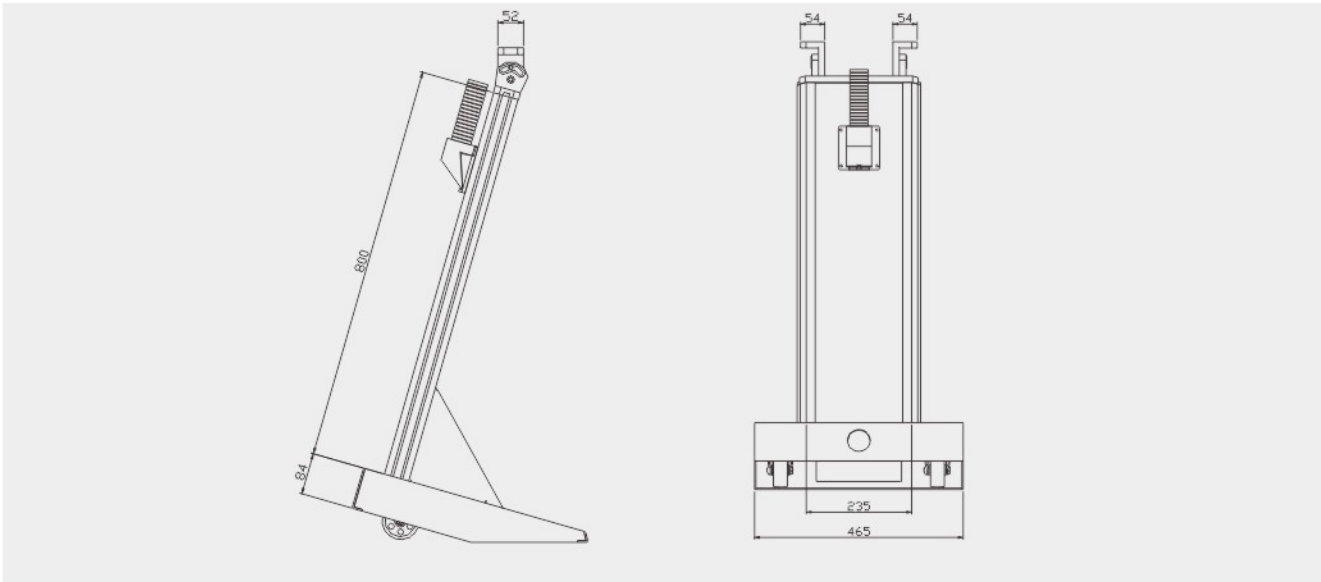
适用：机器人、数控系统、橡胶、塑机等

Apply to: robots, numerical control system, rubber, plastic, etc



序号 No.	订货号 Order No.	型号 Model
1	50010101	MT-100

#### 产品尺寸图 Product Size Chart



## MT-2 型移动支架

### MT-2 type mobile frame

#### 产品说明 Product Description

支架底部带4个脚轮，其中2个带制动，可方便移动和定位；支架上可装配CL、MV、TV操作箱，操作箱以立杆为轴可旋转300度；各类电缆可以从支架体内部通过，从底部穿出；MT-2支架上可装配DC、DH、DF、DE操作箱。

Stent at the bottom with four casters. Of which 2 with brake lock function to facilitate the movement and positioning; Stent can be loaded with CL, MV, TV operation box, box to Pole axis can rotate 300°; cable from the internal stent is passed, and out from the bottom; Product description: suitable for DC, DF, DH, DE cantilever box

材料：铸钢底座、钢管或铝管、铝箱体连接器、静音尼龙脚轮

Material: cast steel base, steel or aluminum tubes, aluminum housing connector, mute nylon casters

标准配置：脚轮、底部支架、固定底座、方管、箱体连接器

Standard configuration: castor, bracket, fixed base, square tube, box at the bottom of the connector

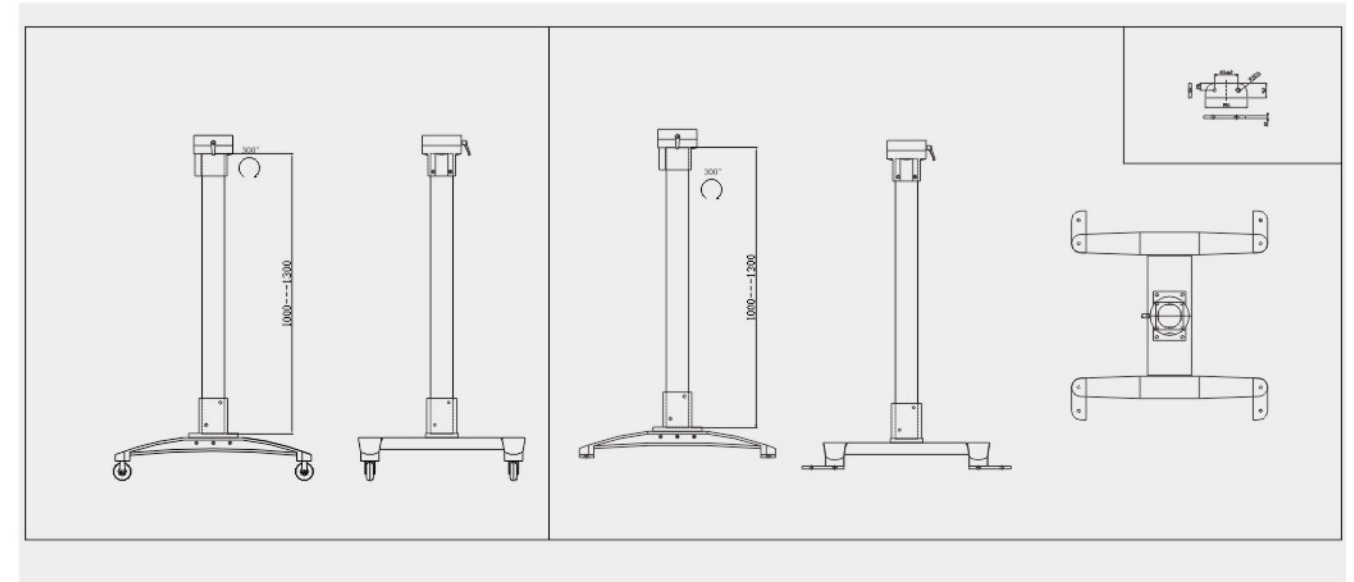
承重：最大90公斤

Bearing: biggest 90 kilograms

适用：机器人、数控系统、印刷、橡胶、塑机等

Applies: robots, numerical control systems, printing, rubber, plastic machinery, etc

#### 产品尺寸图 Product Size Chart



序号 No.	订货号 Order No.	型号 Model
1	60010101	MT-260
2	60010102	MT-280



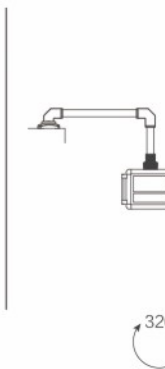
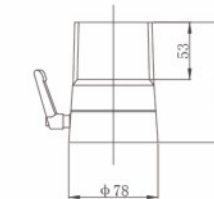
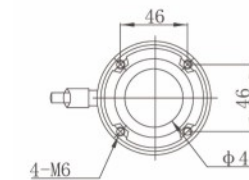
- 连接器铸造铝合金
- 连接管铝型材，有圆管矩形管
- 负荷重的方向用矩形管，其余圆管
- 可自由组合成不同的悬挂系统
- 电缆可以在连接管内穿过
- 表面喷塑处理
- 用于低负荷及中等黄花的悬挂系统

序号	品名	订货号
1	箱体连接器-A	JXHY-XT1-50
2	箱体连接器B-圆	JXHY-XT2-50
3	箱体连接器B-方	JXHY-XT2-50
4	直角连接器-圆	JXHY-ZJ1-50
5	直角连接器-方	JXHY-ZJ2-50
6	旋转底座和固定底座	JXHY-DZ1-50/JXHY-GD1-50
7	顶座--方	JXHY-DZ2-50
8	顶座--圆	JXHY-DZ3-50
9	墙座--圆	JXHY-QZ1-50
10	墙座--方	JXHY-QZ2-50
11	墙座--C	JXHY-QZ3-50

1.箱体连接器-A  
Connector Box-A

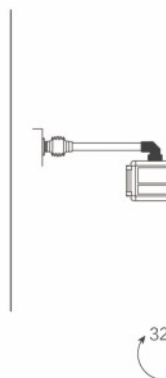
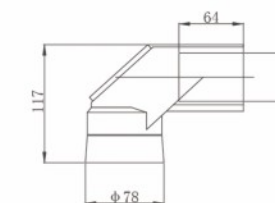
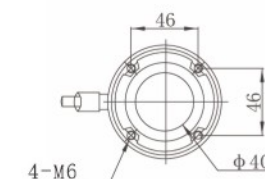
型号: JXHY-XT1-50

材质: 铸铝

2.箱体连接器-B-圆  
Connector Box-B-circular

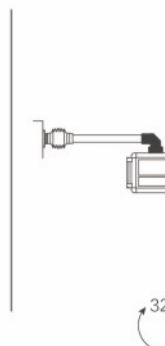
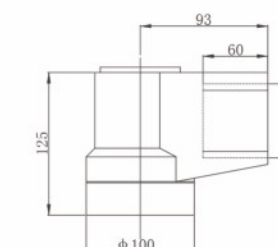
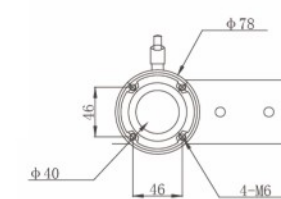
型号: JXHY-XT2-50

材质: 铸铝

3.箱体连接器-B-方  
Connector Box-B-square

型号: JXHY-XT3-50

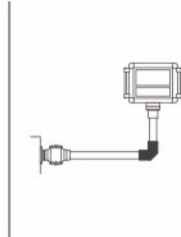
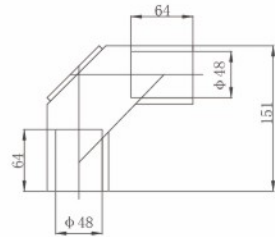
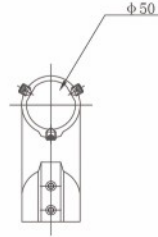
材质: 铸铝



4. 直角连接器-圆  
Right angle connector - circle

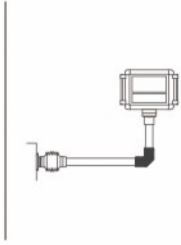
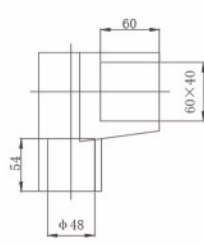
型号: JXHY-ZJ1-50

材质: 铸铝

5. 直角连接器-方  
Right angle connector - Square

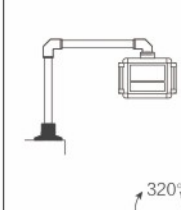
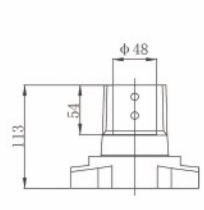
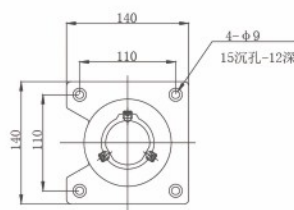
型号: JXHY-ZJ2-50

材质: 铸铝

6. 旋转底座和固定底座  
Rotating base and fixed base

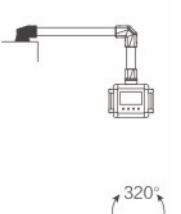
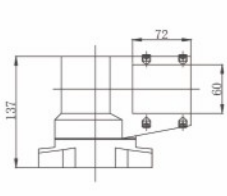
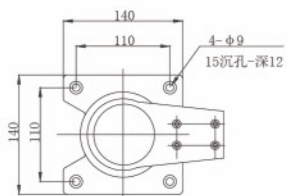
型号: JXHY-DZ1/GD1-50

材质: 铸铝

7. 顶座-方  
Top seat - Square

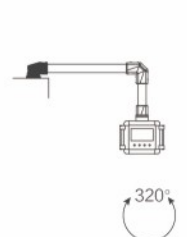
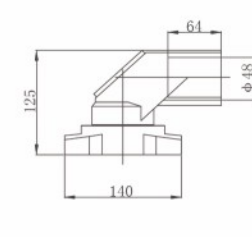
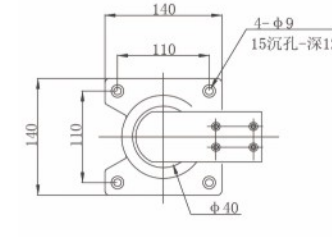
型号: JXHY-DZ2-50

材质: 铸铝

8. 顶座-圆  
Top seat - round

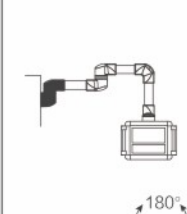
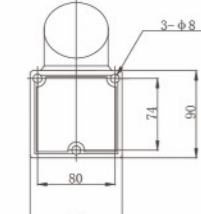
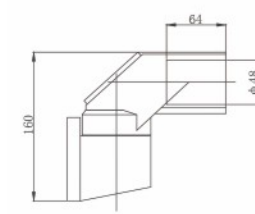
型号: JXHY-DZ3-50

材质: 铸铝

9. 墙座-圆  
Wall base - round

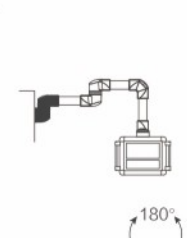
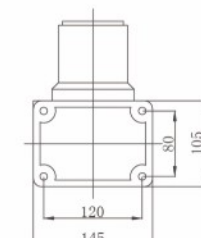
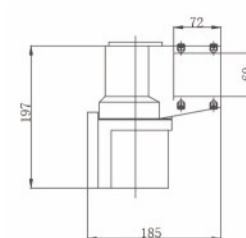
型号: JXHY-QZ1-50

材质: 铸铝

10. 墙座-方  
Wall base - Square

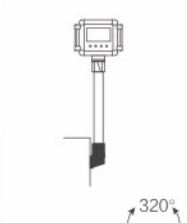
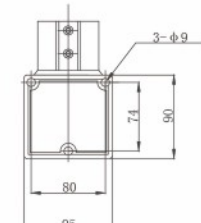
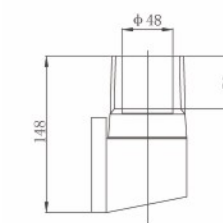
型号: JXHY-QZ2-50

材质: 铸铝

11. 墙座-C  
Wall base - c

型号: JXHY-QZ3-50

材质: 铸铝

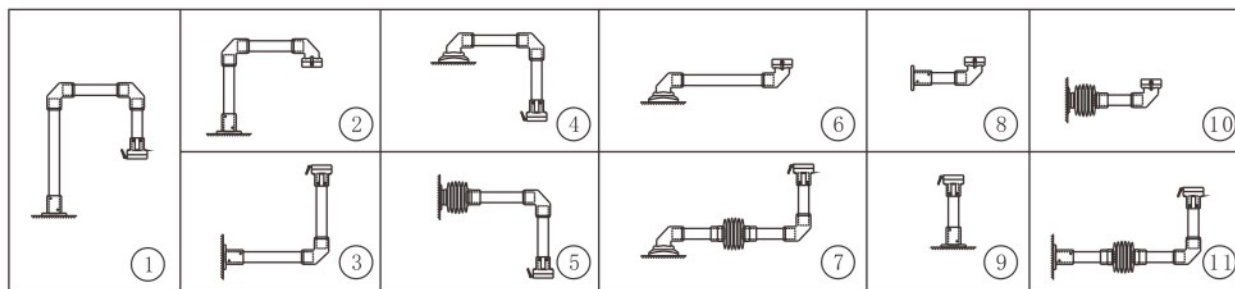


宏艳电气  
JXHY1111.COM宏艳电气  
JXHY1111.COM

## 60/80 悬挂系列 60/80 Cantilever Series

序号 No.	订货号 Order No.		名称 Name	说明 Instructions
	60	80		
1	6008.010	8008.010	箱体连接器 Casing connector	旋转300°, 铸铝, 内部钢法兰 Rotated 300°, aluminum, steel flanges inside
2	6008.011	8008.011	直角箱体连接器 Rectangular box connectors	旋转300°, 铸铝, 内部钢法兰 Rotated 300°, aluminum, steel flanges inside
3	6008.012	8008.012	直角 Rectangular	铸铝 Aluminum
4	6008.013	8008.013	墙座水平 Wall lock level	旋转180° 铸钢, 内钢法兰 Rotated 180° steel, the steel flange
5	6008.014	8008.014	墙座垂直 Wall block vertical	旋转300° 铸铝, 内钢法兰 Rotated 300° aluminum, the steel flange
6	6008.015	8008.015	顶座 Top seat	旋转300° 铸钢, 内钢法兰 Rotated 300° steel, the steel flange
7	6008.016	8008.016	间隙连接器 Clearance of the connector	旋转180° 铸钢, 内钢法兰 Rotated 180° steel, the steel flange
8	6008.017	8008.017	固定底座 Fixed base	铸钢 Cast
9	6008.018	8008.018	旋转底座 Rotated base	旋转300° 铸钢, 内钢法兰 Rotated 300° steel, the steel flange
10	6008.019	8008.019	倾斜箱体连接器 Tilt housing connector	旋转300° 上下45°, 铝, 钢法兰 Rotated 300° and down 45°, aluminum, steel flanges
11	6008.025		脚轮 Castor	2个方向, 2个定向 M12*25 Two universal, two directional M12*25
12	6005.010		可调位紧定手柄 Adjustable bit tight grip	黑色 Black
13	6005.011	8005.011	管塞 Pipe plug	黑色聚乙烯 Black, polyethylene
14	6008.050	8008.050	钢管 500mm Pipe 500mm	壁厚2.5 RAL7035颜色 Wall thickness of 2.5 RAL7035 color
15	6008.100	8008.100	钢管 1000mm Pipe 1000mm	壁厚2.5 RAL7035颜色 Wall thickness of 2.5 RAL7035 color
16	6008.150	8008.150	钢管 1500mm Pipe 1500mm	壁厚2.5 RAL7035颜色 Wall thickness of 2.5 RAL7035 color
17	6008.200	8008.200	钢管 2000mm Pipe 2000mm	壁厚2.5 RAL7035颜色 Wall thickness of 2.5 RAL7035 color
18	6018.050	8018.050	铝管 500mm Aluminum 500mm	壁厚3.0 铝本色拉丝氧化 Wall thickness 3.0 aluminum nature wire drawing oxidation
19	6018.100	8018.100	铝管 1000mm Aluminum 1000mm	壁厚3.0 铝本色拉丝氧化 Wall thickness 3.0 aluminum nature wire drawing oxidation
20	6018.150	8018.150	铝管 1500mm Aluminum 1500mm	壁厚3.0 铝本色拉丝氧化 Wall thickness 3.0 aluminum nature wire drawing oxidation
21	6018.200	8018.200	铝管 2000mm Aluminum 2000mm	壁厚3.0 铝本色拉丝氧化 Wall thickness 3.0 aluminum nature wire drawing oxidation

序号 No.	钢盖板 Steel cover	
	60	80
1	-	-
2	6007.020	8007.020
3	6007.020	8007.020
4	6007.020	8007.020



## 用于高负荷的悬挂 Suspension for high-load

特性:  
连接器: 铸造合金、铸造钢  
连接管: 钢铁焊管; 方形管

可自由组合成不同的悬挂系统  
电缆可以在连接管内穿线  
性价比高、现货、理想的国外产品替代

颜色  
连接器: RAL7040  
连接管: RAL7035

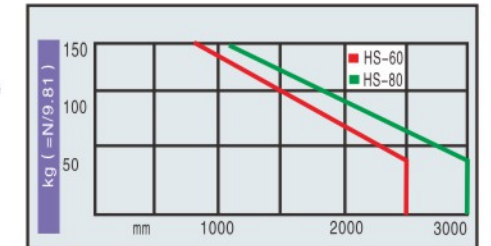
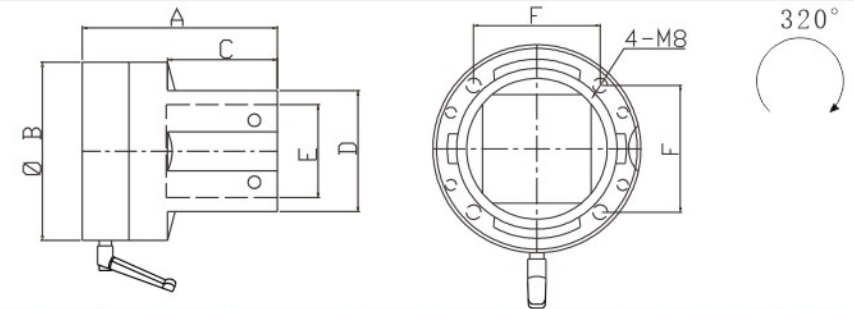
特别提示:  
悬挂组合时请注意力矩, 承重平衡

Characteristics:  
Connectors: foundry alloy, casting steel  
Connecting pipe: welded steel; square tube

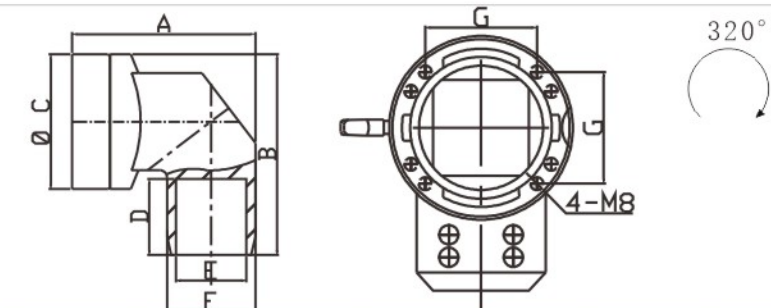
Free combination of the suspension system into different  
Cable connecting pipe threading  
Cost-effective, the spot, an ideal alternative to foreign products

Color  
Connectors: RAL7040  
Pipe: RAL7035

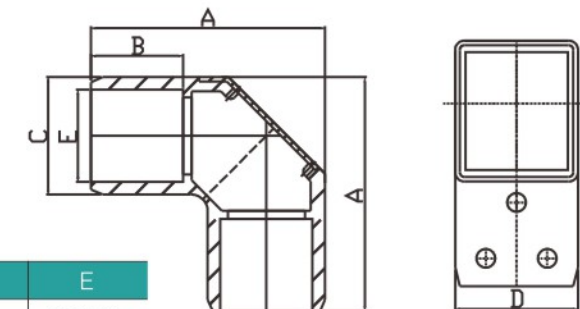
Special Tip:  
Please note when flying combination of torque and load-bearing

1. 箱体连接器  
Connector Box

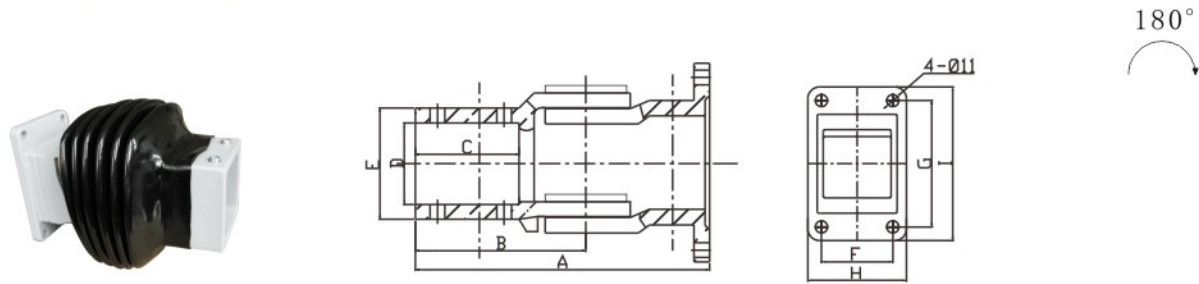
订货号	A	B	C	D	E	F	固定螺丝	旋转角度
6008.010	120	115	72	78	60*60	70	M8	320°
8008.010	145	140	82	98	82*82	87		

2. 直角箱体连接器  
Right-angle connector box

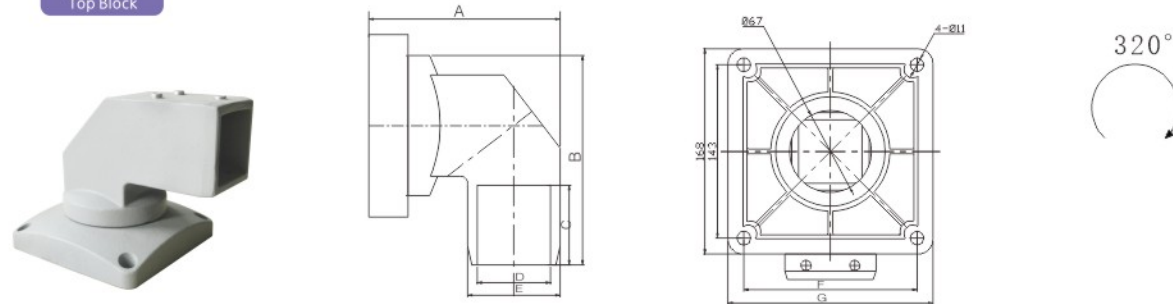
订货号	A	B	C	D	E	F	G	固定螺丝	旋转角度
6008.011	160	160	115	65	62*62	82	70	M8	320°
8008.011	191.5	216.5	140	85	82*82	107	87		

3. 直角连接器  
Right angle

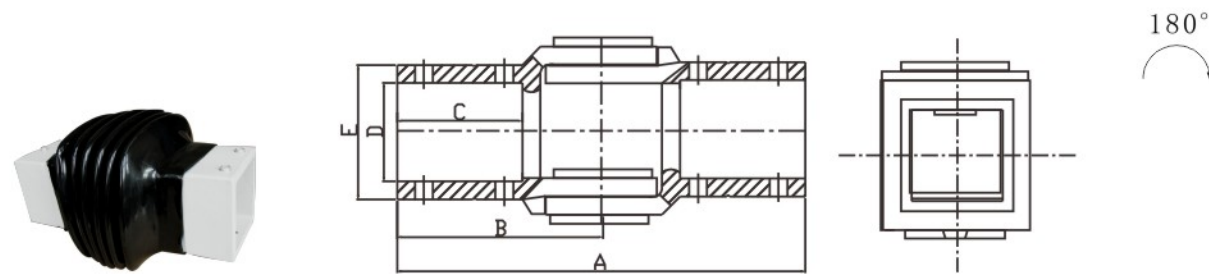
订货号	A	B	C	D	E
6008.012	154	65	82	82	62*62
8008.012	200	85	107	103	80*80

4. 墙座 (A)  
Block wall (A)

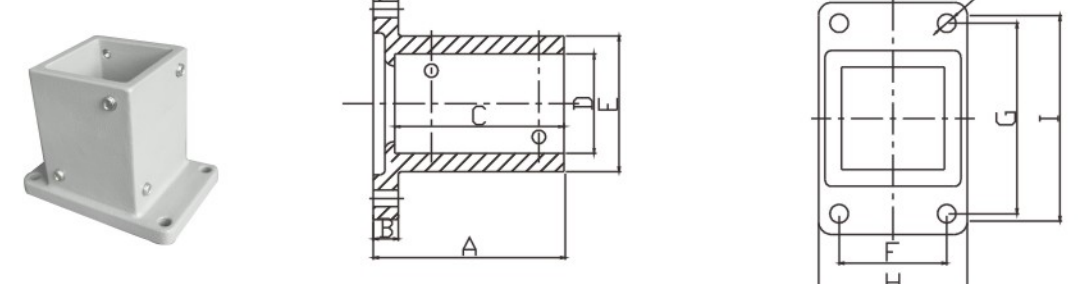
订货号	A	B	C	D	E	F	G	H	I	螺丝孔径	旋转角度
6008.013	230	130	80	61*61	82*82	65	115	90	140	Φ10.5	180°
8008.013	275	160	101	80*80	104*104	90	150	116	175		

5. 顶座  
Top Block

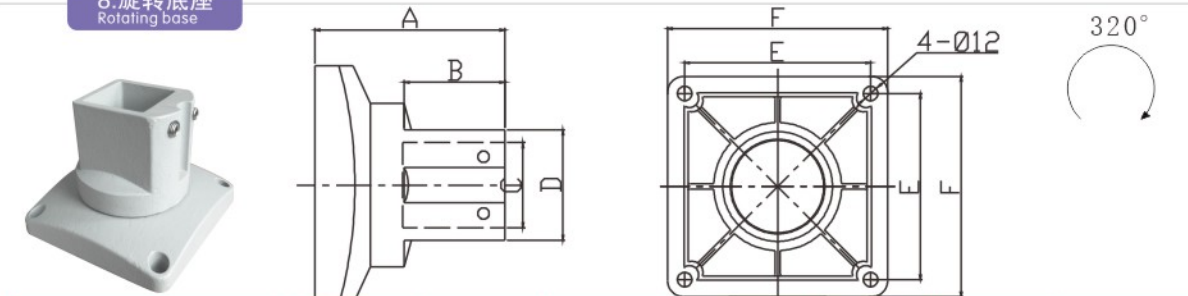
订货号	A	B	C	D	E	F	G	固定螺丝	旋转角度
6008.015	167	198	60	62*62	82*82	143	168	Φ10	320°
8008.015	203	277	84	80*80	107*107	181	210		

6. 间隙连接器  
Gap Connector

订货号	A	B	C	D	E	旋转角度
6008.016	260	130	80	61*61	82*82	180°
8008.016	320	160	101	80*80	104*104	

7. 底座  
Base

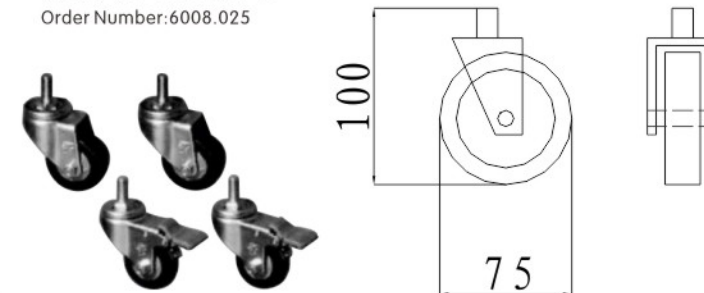
订货号	A	B	C	D	E	F	G	H	I	螺丝孔径
6008.017	115	15	102	62*62	82*82	65	115	90	140	Φ10.5
8008.017	140	15	127	80*80	104*104	91	151	116	175	

8. 旋转底座  
Rotating base

订货号	A	B	C	D	E	F	固定螺丝	旋转角度
6008.018	134	72	62*62	115	143	168	Φ13	320°
8008.018	155	82	80*80	139	181	210		

9. 脚轮  
Right angle

订货号: 6008.025  
Order Number: 6008.025

10. 倾斜箱体连接器  
Tilt housing connector

订货号: 6008.019  
8008.019  
Order Number: 6008.019  
8008.019

铝管  
Aluminum钢管  
Pipe

标准: 上下通透, 上下板有固定开孔。管无开孔  
Standard: the up and down fully, there were fixed on the hole. Tube without opening

## 立柱 Column



宏艳电气  
JXHY1111.COM

序号 No.	订货号 Order No.				长度 Length(mm)
	80	100	120	150	
1	4961.050.80	4961.050.10	4961.050.12	4961.050.15	500
2	4961.100.80	4961.100.10	4961.100.12	4961.100.15	1000
3	4961.150.80	4961.150.10	4961.150.12	4961.150.15	1500
4	4961.200.80	4961.200.10	4961.200.12	4961.200.15	2000
5	4961.250.80	4961.250.10	4961.250.12	4961.250.15	2500
6	4961.300.80	4961.300.10	4961.300.12	4961.300.15	3000

### 立柱 Column

#### 非标规格订货 Ordering non-standard specifications

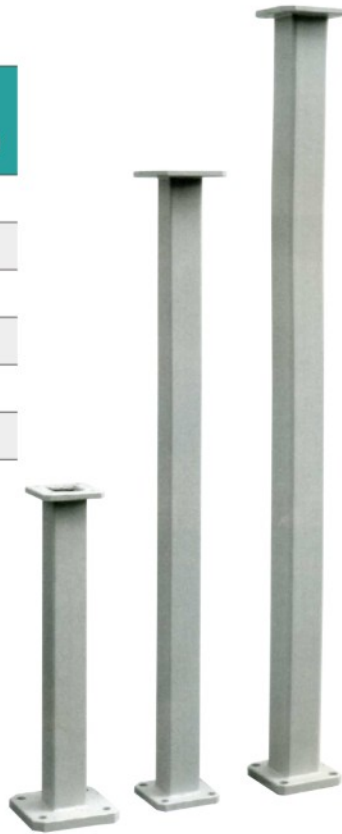
4961.XXX.XX.X

4961代表立柱 4961 Representative column

XXX代表管子长度 XXX represents the pipe length

XX代表方管规格 XX represents square tube specifications

X 1代表无开孔 2代表有开孔 3开孔配封板 4开孔配封板和防水接头  
X 1 represents no opening 2 representatives opening 3 holes with cover plate 4 hole with sealing plate and waterproof connectors



## 不锈钢悬臂系列

### Stainless steel operation box and cantilever series

#### 选择带或不带键盘箱体

##### \* 耐高压清洗(防护等级IP69K)

密封件设备在两个平面之间, 通过螺钉紧固实现最佳压缩。

##### \* 适用于无尘空间

在食品和卫生领域的高要求场合可选择螺钉固定方式。内部采用塑料塞或外部用六角螺钉。

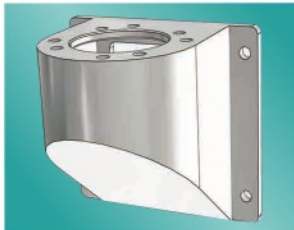
#### 最佳EMC(电磁兼容)条件

通过迷宫式密封设计能够使箱体达到特别好的高频屏蔽效果

#### \* 足够的空间便于操作维修

内部设有后壁支架。在考虑到卫生的情况时, 外面用铰链 固定的场合下, 这一方案非常值得考虑。

不锈钢悬臂  
带钻孔



#### 材料

不锈钢(304、316)

#### \* 表面处理

拉丝, 粒度240

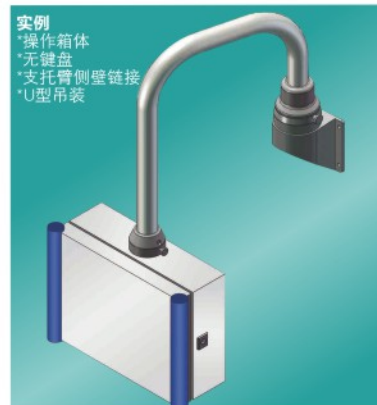
#### \* 防护等级

IP33/IP69K

不锈钢箱体耦合件  
用于安装在支撑臂系统的  
垂直部分上。

不锈钢堵帽/底板固定件, 固定式CS  
用于垂直或水平面上支撑臂系统的固定。

不锈钢底板固定件, 可转动  
用于安装在: \* 水平面上(悬挂式或支承式) \* 顶装悬壁



实例

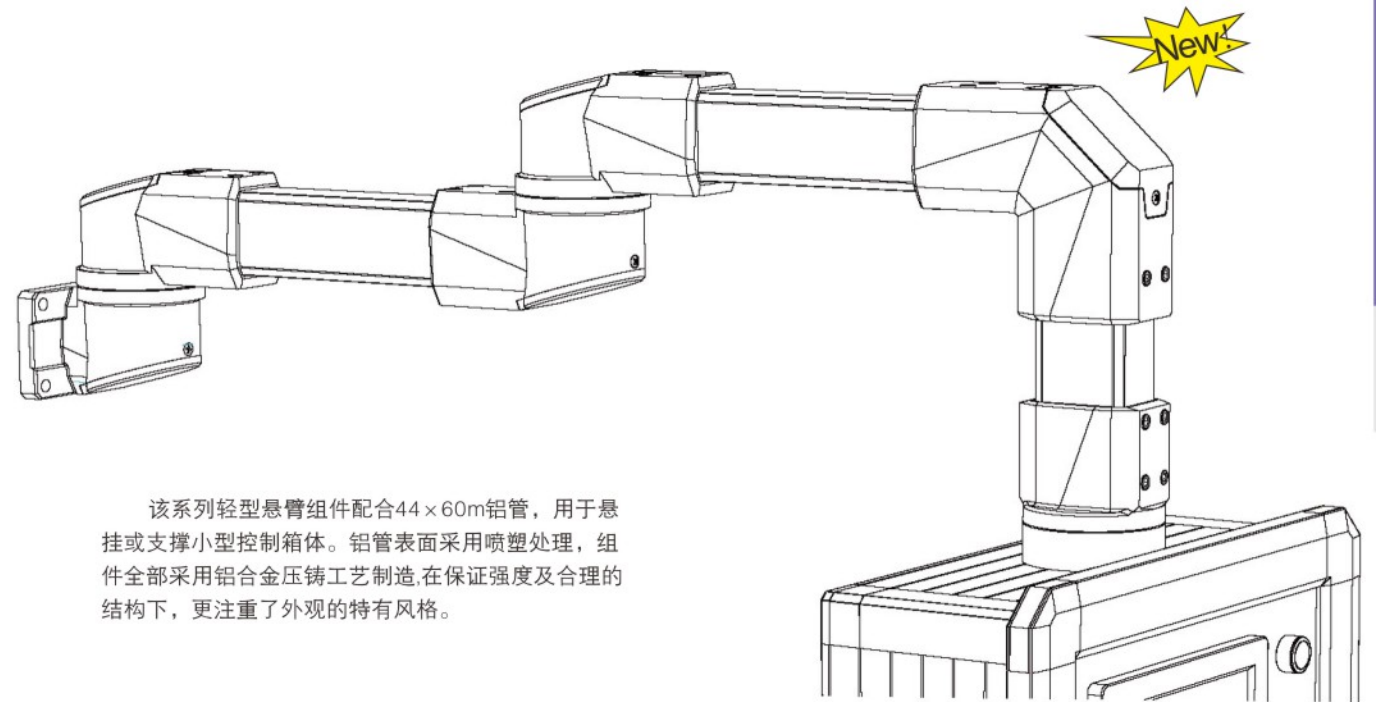
\* 操作箱体  
\* 无键盘  
\* 支撑臂侧壁铰链  
\* U型吊装

备注: 详细资料请索要样本



宏艳电气  
JXHY1111.COM

## 4460 轻型悬臂系列 440 Cantilever Series



该系列轻型悬臂组件配合44×60mm铝管, 用于悬挂或支撑小型控制箱体。铝管表面采用喷塑处理, 组件全部采用铝合金压铸工艺制造, 在保证强度及合理的结构下, 更注重了外观的特有风格。

#### 箱体连接件 Box connector

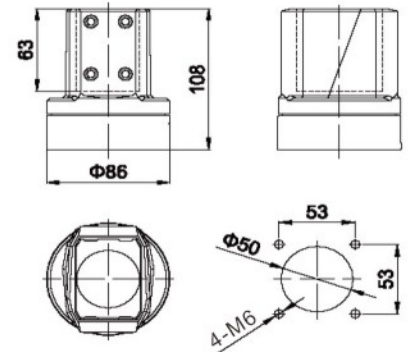


订货号: 440.6.090.00

重量: 0.9kg

材料: 压铸铝合金

可水平旋转0-320°



#### 90° 箱体连接件 90° Box connector

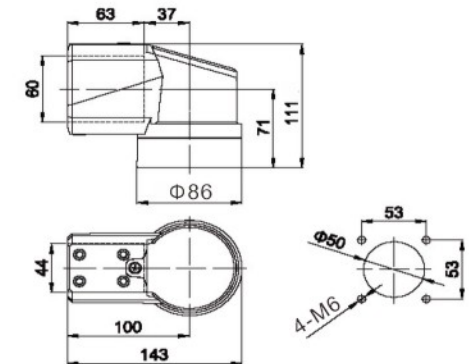


订货号: 440.6.150.00

重量: 1.1kg

材料: 压铸铝合金

可水平旋转0-320°



# 4460 轻型悬臂系列

## 440 Cantilever Series



宏艳电气  
JXHY1111.COM

# 4460 轻型悬臂系列

## 440 Cantilever Series

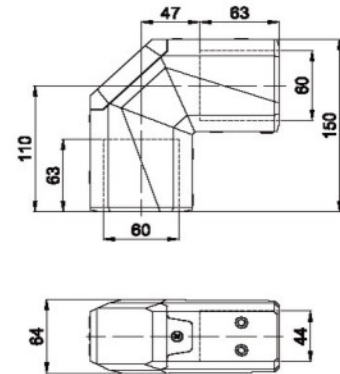


宏艳电气  
JXHY1111.COM

90° 转角  
90 degree angle



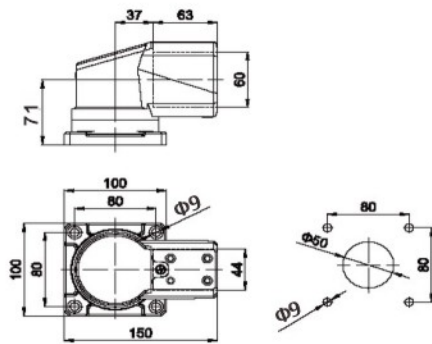
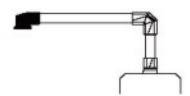
订货号: 440.6.100.00  
重量: 1.06kg  
材料: 压铸铝合金



顶座  
Top seat



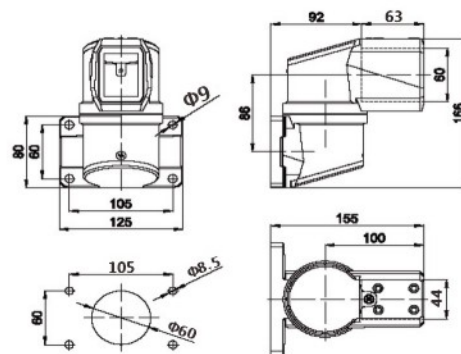
订货号: 440.6.120.00  
重量: 1.13kg  
材料: 压铸铝合金  
可水平旋转0-320°



水平墙座  
Horizontal wall pedestal



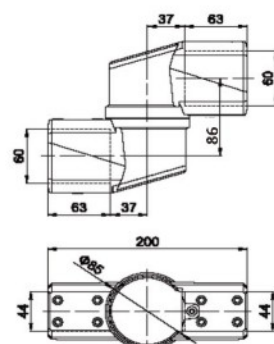
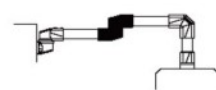
订货号: 440.6.110.00  
重量: 1.36kg  
材料: 压铸铝合金  
可水平旋转0-320°



中间连接件  
Horizontal wall pedestal



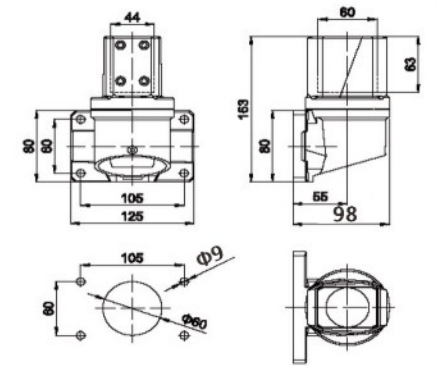
订货号: 440.6.130.00  
重量: 1.52kg  
材料: 压铸铝合金  
可水平旋转0-320°



垂直墙座  
Vertical wall seat



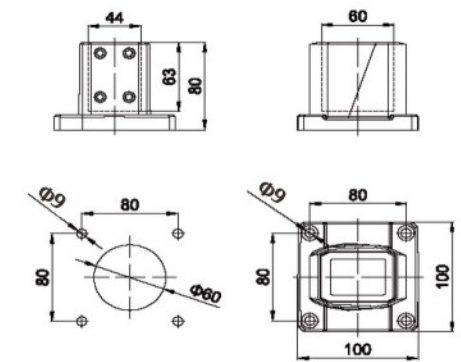
订货号: 440.6.170.00  
重量: 1.17kg  
材料: 压铸铝合金  
可水平旋转0-320°



底座  
Base



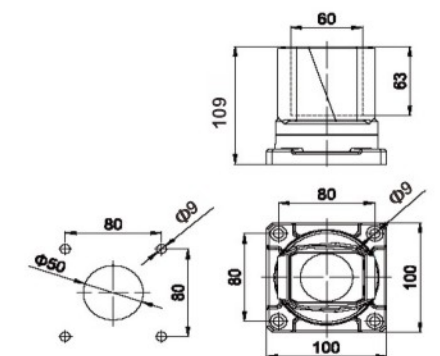
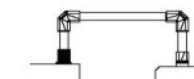
订货号: 440.6.140.00  
重量: 0.5kg  
材料: 压铸铝合金



可旋转底座  
Revolving base



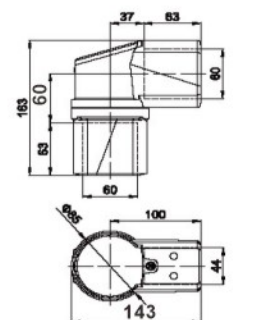
订货号: 440.6.180.00  
重量: 0.94kg  
材料: 压铸铝合金  
可水平旋转0-320°



可旋转90° 转角  
Rotatable 90 degree angle



订货号: 440.6.190.00  
重量: 1.32kg  
材料: 压铸铝合金  
可水平旋转0-320°



## 4460 轻型悬臂系列

### 440 Cantilever Series

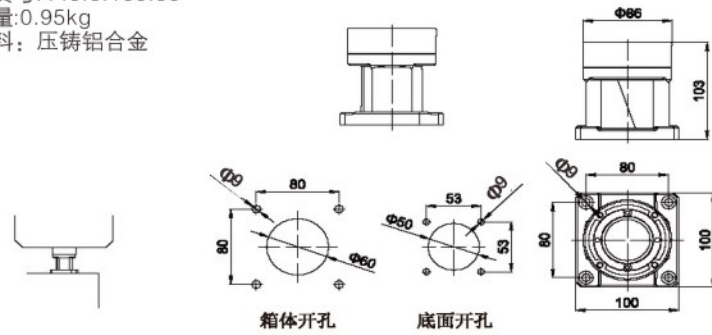


宏艳电气  
JXHY1111.COM

可旋转箱底座  
Revolving box base



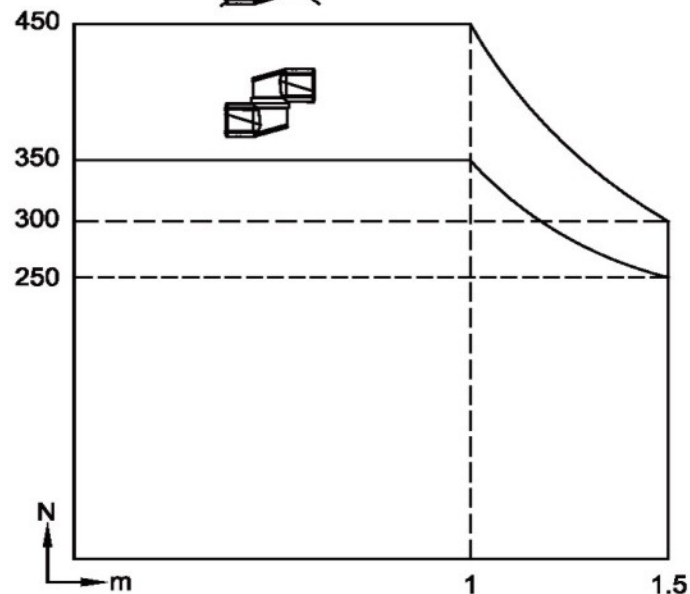
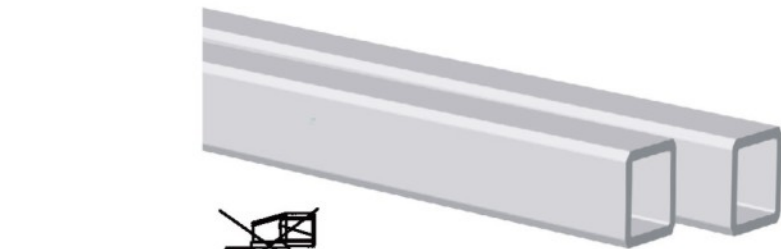
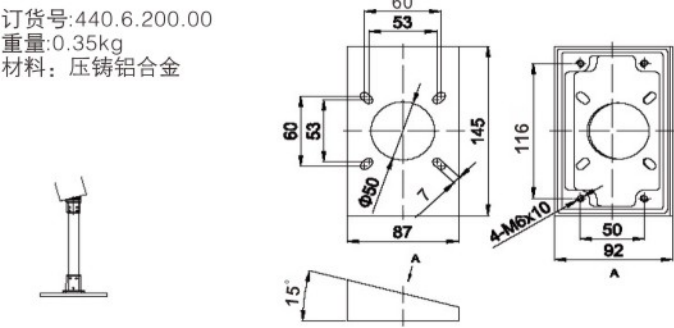
订货号:440.6.160.00  
重量:0.95kg  
材料:压铸铝合金



15° 斜面连接件  
15 degree inclined plane connector

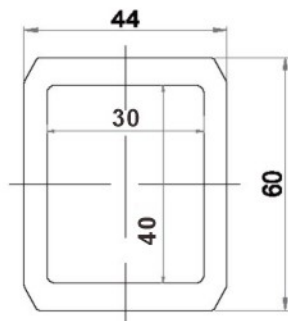


订货号:440.6.200.00  
重量:0.35kg  
材料:压铸铝合金



4460铝管规格表 (配4460轻型悬臂):  
铝管长度 订货号

0.25m	440.6.025.70
0.5m	440.6.050.70
1m	440.6.100.70
1.5m	440.6.150.70
2m	440.6.200.70



## 55/75 中型悬臂系列

### 55/75 Cantilever Series



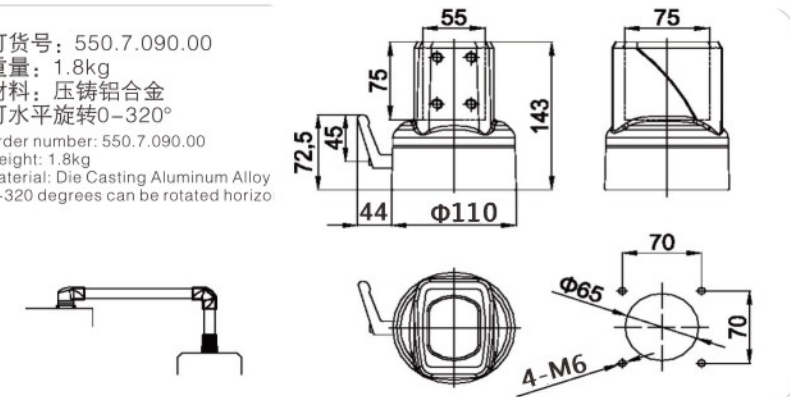
宏艳电气  
JXHY1111.COM

该系列中型悬臂组件配合55×75mm铝管,用于悬挂或支撑控制箱体铝管采用阳极氧化表面处理,组件全部采用铝合金压铸工艺制造,在保证强度及合理的结构下,更注重了外观的特有风格。

箱体连接件  
Box connector



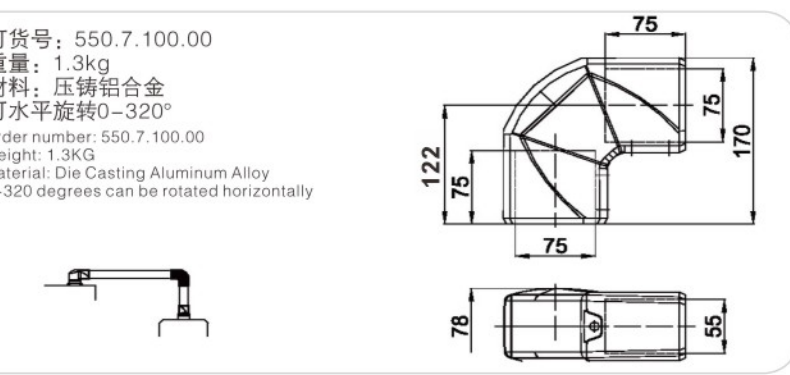
订货号:550.7.090.00  
重量:1.8kg  
材料:压铸铝合金  
可水平旋转0-320°  
Order number:550.7.090.00  
Weight:1.8kg  
Material:Die Casting Aluminum Alloy  
0-320 degrees can be rotated horizo



90° 转角  
90 degree angle



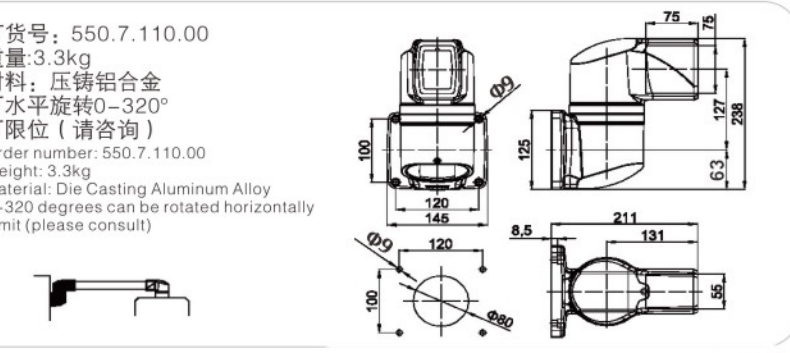
订货号:550.7.100.00  
重量:1.3kg  
材料:压铸铝合金  
可水平旋转0-320°  
Order number:550.7.100.00  
Weight:1.3KG  
Material:Die Casting Aluminum Alloy  
0-320 degrees can be rotated horizontally



水平墙座  
Horizontal wall pedestal



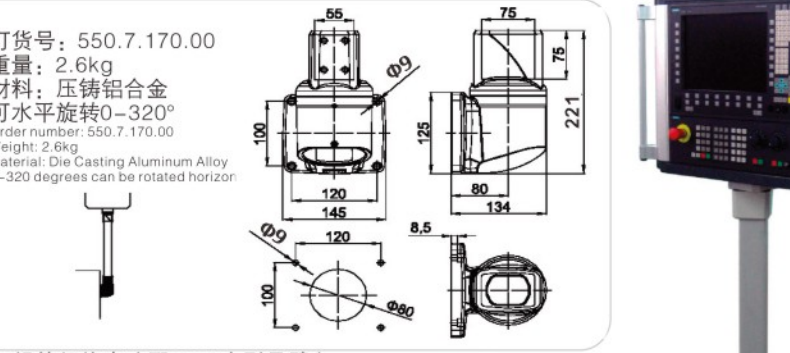
订货号:550.7.110.00  
重量:3.3kg  
材料:压铸铝合金  
可水平旋转0-320°  
可限位(请咨询)  
Order number:550.7.110.00  
Weight:3.3kg  
Material:Die Casting Aluminum Alloy  
0-320 degrees can be rotated horizontally  
Limit (please consult)



垂直墙座  
Vertical wall seat

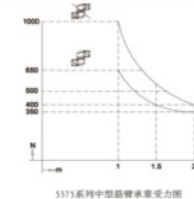


订货号:550.7.170.00  
重量:2.6kg  
材料:压铸铝合金  
可水平旋转0-320°  
Order number:550.7.170.00  
Weight:2.6kg  
Material:Die Casting Aluminum Alloy  
0-320 degrees can be rotated horizo



5575铝管规格表 (配5575中型悬臂)  
5575 aluminum tube specification table  
(with 5575 medium cantilevers)

铝管长度	订货号
0.25m	550.7.025.70
0.5m	550.7.050.70
1m	550.7.100.70
1.5m	550.7.150.70
2m	550.7.200.70





## CP210/140 操作箱体

CP210/140 Operating Box

### CP210/140 悬壁控制箱系列



CP210/CP140系列控制箱由高品质阳极氧化铝型材和铝压铸角部件拼接而成。简洁外观设计，结构稳固。表面阳极氧化的铝型材更易于擦拭，始终保持箱体光亮如新。

控制箱广泛应用在数控机床，装配线及专用设备上各类人机界面和附件的安装，配合悬臂或支撑系统，完全能符合实际操作的要求。

箱体尺寸均按用户需求定制

基本性能及参数

有效安装深度:

Cp210 Cp140

定制最大尺寸:

前面板宽度>700mm

前面板高度>800mm

防护等级:

后开门: IP54; 螺钉固定后面板: IP65

材料:

铝型材和把手: 铝合金6063

角部件: 压铸铝合金102

把手固定件: PC

颜色:

铝型材和把手: 阳极氧化铝本色

角部件: 岩石灰 近似RAL7012

后门(后面板): 3mm铝板

表面喷涂氧化, 银灰色

把手固定件: 银灰色

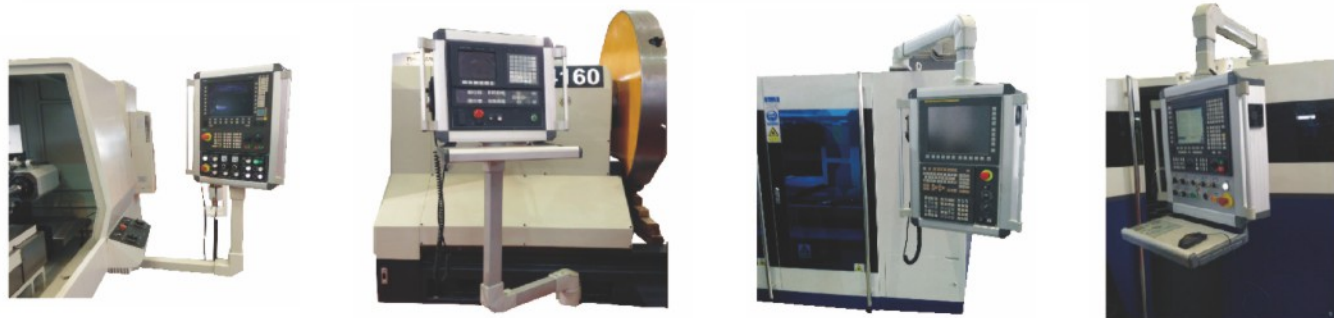
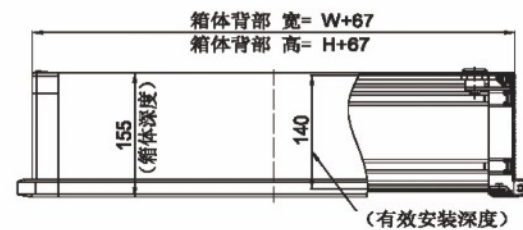
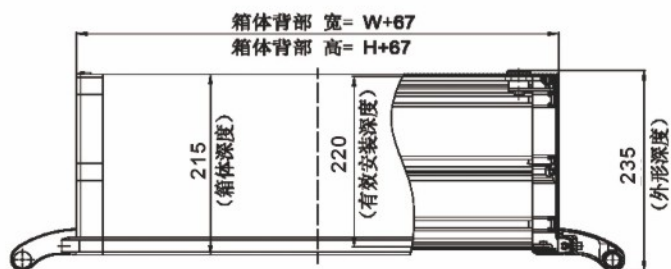
### CP 系列细节图



CP210 箱体尺寸 (两侧把手)



CP140 箱体尺寸 (无把手)



## CP110/150/190 操作箱体

CP110/150/190 Operating Box



### 操作箱体/键盘箱体

#### 型号

CP	1	1	X	X	X	X	9	深度 110mm
CP	1	6	X	X	X	X	9	深度 160mm

- 询价、定货时，请提供面板以及具体安装设备的详细技术要求。
- 我们会根据要求，提供详细的方案图纸和详细的材料清单。





宏艳电气  
JXHY1111.COM

### 重大承诺:

- ★ 1、主机2年质保。
- ★ 2、客户问题10分钟内响应，制冷问题8小时内处理，24小时到达现场。

### Major commitments:

1. host 2-year warranty.
2. in response to customer problems within 10 minutes, the refrigeration question 8 hours of treatment, 24 hours to reach the scene.

### 机组选型 Model Selection

如何选配适用的机柜空调:

$$Q_t = Q_i + Q_r$$

$Q_t$ : 机柜所产生的总热量 (单位: W)

$Q_i$ : 机柜内所产生的总热量 (单位: W)

$Q_r$ : 机柜外传至机柜内的热量 (单位: W)

$Q_r = K \cdot A \cdot \Delta T$  K: 传热系数 (单位: W/M<sup>2</sup>.K)

K=5.5 钢材材料机柜 K=12.0 铝镁合金材料机柜

k=0.2 塑料材料机柜

A: 机柜的表面积 (单位: m<sup>2</sup>)

$\Delta T = T_1 - T_2$  (单位: °C)

T<sub>1</sub>: 柜外最高温度 T<sub>2</sub>: 柜内控制温度

How to select a appropriate-conditioner:

$$Q_t = Q_i + Q_r$$

$Q_t$ : the total heat loss of the two sources (unit: W)

$Q_i$ : internal heat loss of components (unit: W)

$Q_r$ : heat transmission between the cabinet and environment (unit: W)

$$Q_r = K \cdot A \cdot \Delta T$$

K: coefficient of heat transmission (unit: W/m<sup>2</sup>.K)

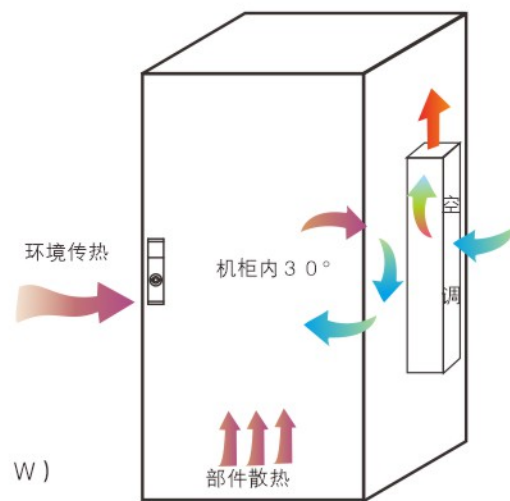
K=5.5 sheet steel K=12.0 aluminium

k=0.2 plastic

A: the cabinet's surface area (unit: m<sup>2</sup>)

$\Delta T = T_1 - T_2$  (unit: °C)

T<sub>1</sub>: environment temperature T<sub>2</sub>: cabinet temperature



### 主要配置 Main Paris



宏艳电气  
JXHY1111.COM



机柜空调(风冷)订货规格表 Air conditioner Specification Table

序号 No.	订货号 Order No.	电源 Power supply	制冷剂 Refrigerant	制冷量 Refrigerating capacity	额定电流 Rated current	输入功率 Input power	使用环境 Using the environment	外形尺寸 Overall dimensions 宽*高*深(mm) W*H*D(m.m)	重量 Weight	安装方式 Installation	冷却方式 Cooling mode
1	3388.030	单相 220V 50Hz	R134a	300W	1.2A	260W	20~60°C	286x445x173	15Kg	侧装 Side mounted	风冷 Air cooling
2	3388.045			450W	1.5A	290W		286x500x173	17Kg		
3	3388.050			500W	1.7A	350W		286x500x173	19Kg		
4	3388.060			600W	2.1A	450W		350x630x203	26Kg		
5	3388.080			800W	2.3A	500W		350x630x203	28Kg		
6	3388.100			1000W	3.5A	770W		370x855x230	35Kg		
7	3388.120			1200W	3.6A	790W		370x855x230	36Kg		
8	3388.150			1500W	3.7A	810W		370x855x230	37Kg		
9	3388.200			2000W	5.0A	1070W		370x855x275	62Kg		
10	3388.250			2500W	6.3A	1400W		370x855x275	65Kg		
11	3388.320		3200W	7.5A	1750W	453x1230x290	78Kg				
12	3388.350		3500W	7.7A	1810W	453x1230x290	81Kg				
13	3388.069		600W	2.1A	450W	532x240x336	26Kg				
14	3388.089		800W	2.3A	500W	532x240x336	28Kg				
15	3388.109		1000W	3.3A	710W	595x400x480	40kg				
16	3388.159		1500W	3.5A	745W	595x400x480	42kg				
17	3388.209		2000W	5.0A	1060W	595x400x480	50Kg				
18	3388.259		2500W	6.0A	1300W	595x400x480	53Kg				
19	3388.329		3200W	7.9A	1750W	650x451x735	60Kg				
20	3388.359		3500W	8.1A	1810W	650x451x735	62Kg				
			R22				20~45°C			顶装 Top loading	

接受产品定制: 可以定制380V电压。可以定制频率60Hz, 可以外壳为不锈钢304或者316L。含600W以上可以带加热功能。



数显控制器  
Digital display  
controller



可拆卸清洗的防尘网  
Dust gauze removable  
for cleaning



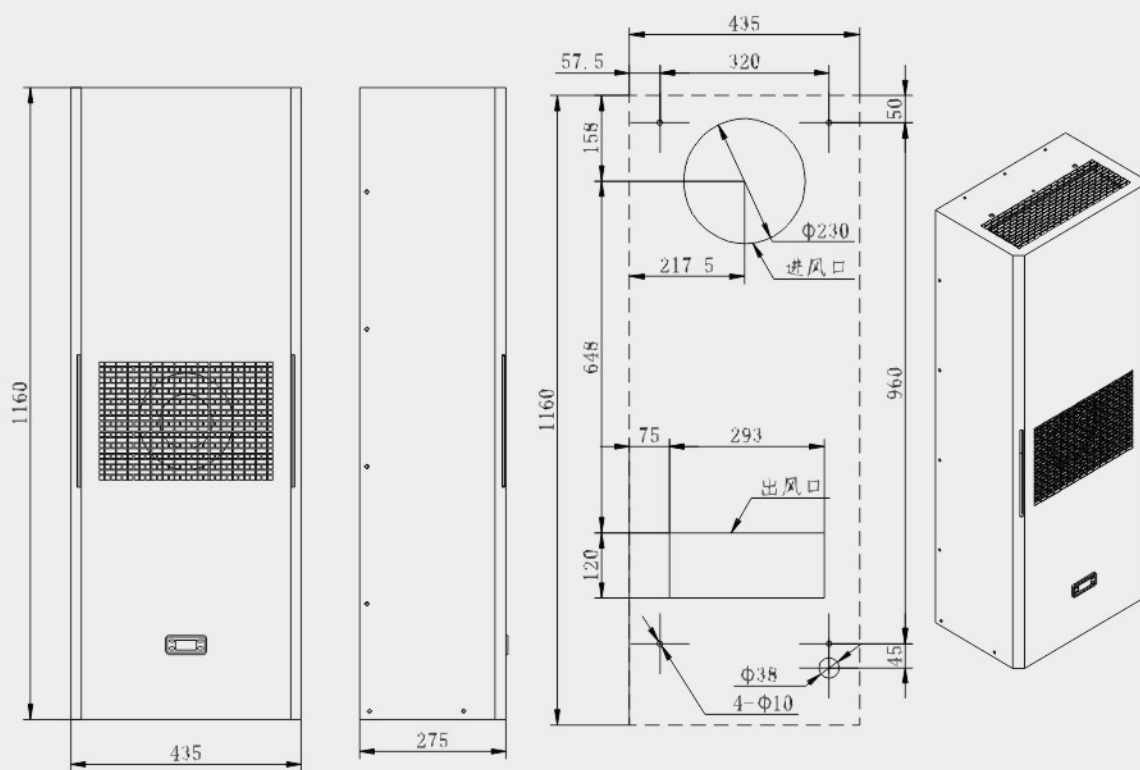
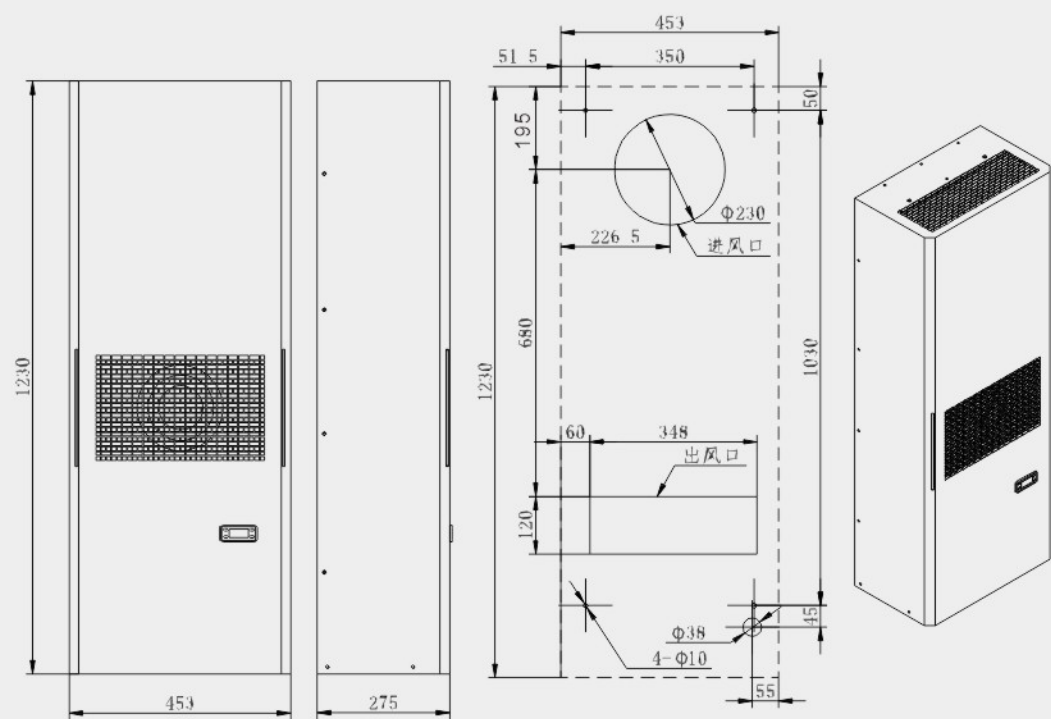
□ □ □ □  
Airconditioning top



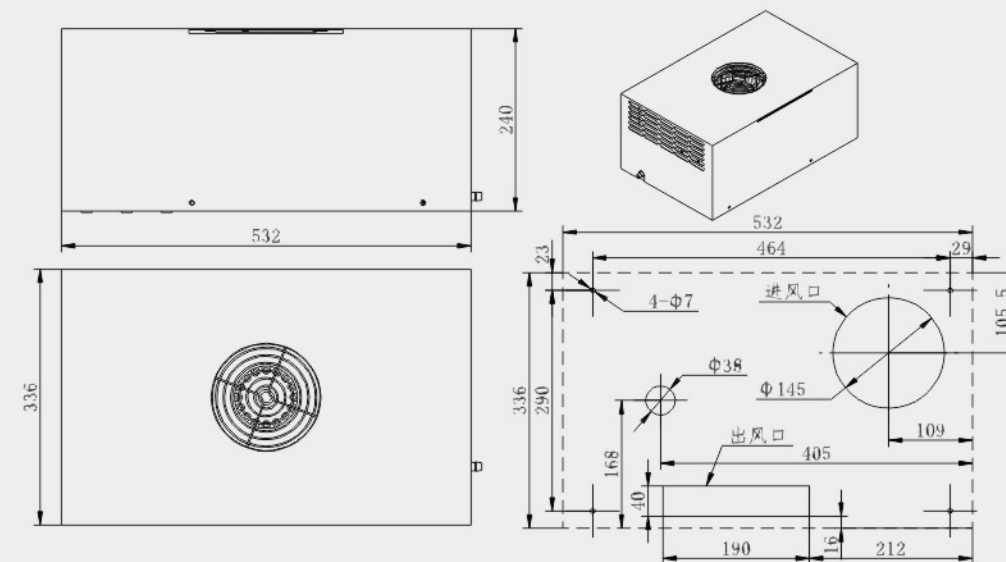
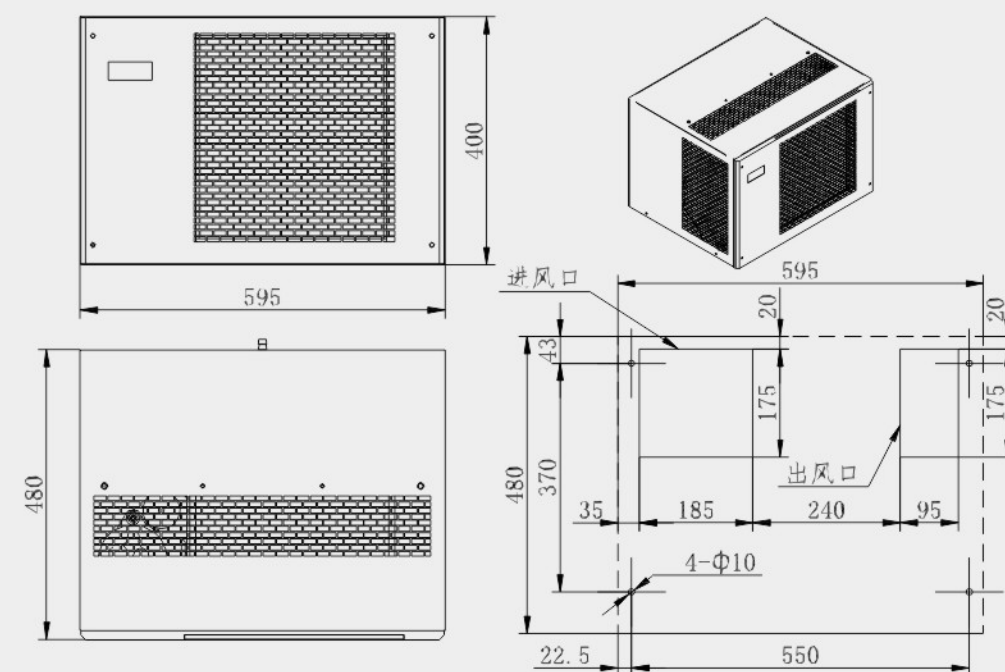
空调背部  
The back of the air  
conditioner



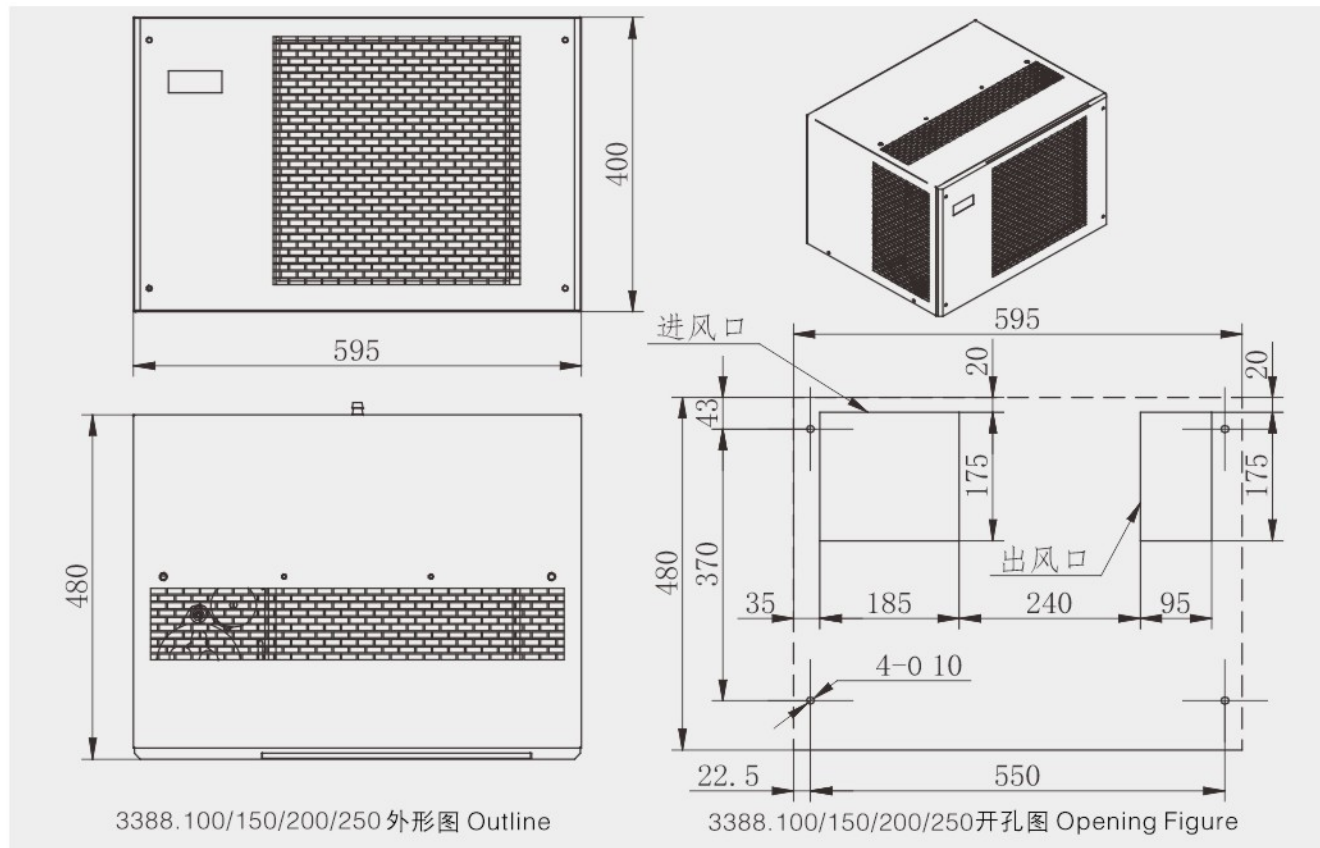
## 机柜空调(风冷)细节图 Air conditioner series detail drawing

3388.200  
3388.250 外形图 Outline3388.200  
3388.250 开孔图 Opening Figure3388.320  
3388.350 外形图 Outline3388.320  
3388.350 开孔图 Opening Figure

## 机柜空调(风冷)细节图 Air conditioner series detail drawing

3388.069  
3388.089 外形图 Outline3388.069  
3388.089 开孔图 Opening Figure3388.109  
3388.159  
3388.209  
3388.259 外形图 Outline3388.109  
3388.159  
3388.209  
3388.259 开孔图 Opening Figure

机柜空调(风冷)细节图 Air conditioner series detail drawing



### 冷凝水蒸发器

#### Condensate evaporator



序号 No.	订货号 Order No.	电压 Voltage	功率 Power	额定电流 Rated current
1	3301.560	220V, 50/60Hz	300W	1.4A
2	3301.570		450W	2.0A
3	3301.580		600W	2.7A

序号 No.	最大气化量 Maximum gasification rate	控制方式 Control mode	尺寸(宽*高*深) Size (w * h * d)
1	300/550(ML/H)	自动	300*170*130
2	600/1000(ML/H)		
3	1000/1500(ML/H)		

## 接水瓶



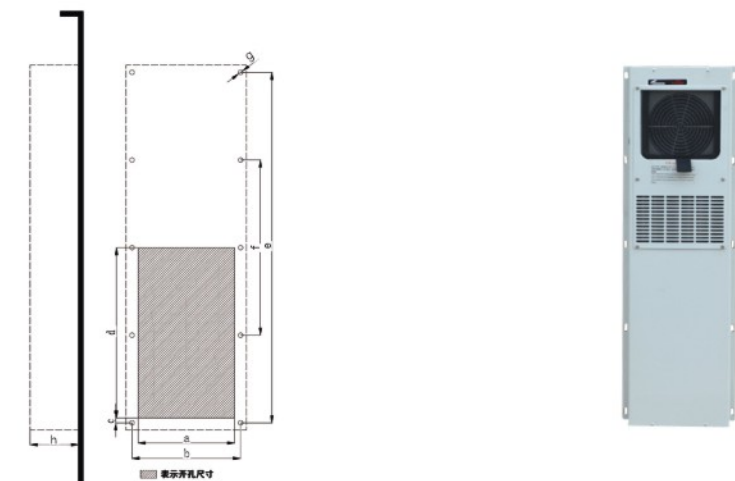
序号 No.	订货号 Order No.	容量 Capacity
1	3301.600	750

交换器采用韩国强制对流热传导换热技术, 换热效率比常规热管式换热器提高20%–30%。可以有效解决高粉尘、高油污场合的电气柜内部发热量高, 通过正常表面散热无法满足散热需求的问题, 有效提供散热需求, 保持柜内清洁, 提高柜内电气元件的使用寿命。可广泛用于机床、注塑、通讯、加工中心等行业。

Switch Korean forced convection heat transfer heat transfer technology, heat exchanger efficiency of 20% –30% compared to conventional heat pipe heat exchanger. Can effectively solve the high dust, high oil inside the electrical cabinet occasions high heat, unable to meet the cooling requirements of the problem through normal surface cooling. Effective draws heat demand, keeping the cabinet clean and improve the life of electronic vitality of the cabinet. It can be widely used in machine tools, injection molding, communications, processing centers and other industries.

热交换器订货规格表 Heat exchanger Specification Table

序号 No.	订货号 Order No.	型号 Model	电源 Power supply	换热量 Heat transfer	换热能力 Heat capacity	输入功率 Input Power	开孔尺寸(mm) Opening size	外形尺寸Dimensions 宽*高*厚(mm)	重量(Kg) Weight
1	3398.030	BXL-030	单相220V 50/60Hz	300W	15W/°C	72W	210×370	250×780×82	10
2	3398.050	BXL-050		500W	25W/°C	72W	260×370	295×780×92	11
3	3398.070	BXL-070		700W	35W/°C	72W	260×410	295×858×102	14

热交换器开孔图  
Figure exchanger openings

订货号 Order No.	型号 Model	a	b	c	d	e	f	g	h
3398.015	BXL-015	220	236	370	740	370	10-Φ7	68	2
3398.050	BXL-050	260	282	370	740	370	10-Φ7	92	2
3398.070	BXL-070	260	282	410	820	410	10-Φ7	102	11

- 因技术改进, 样本参数如有变化时, 以产品铭牌为准, 恕不另行通知。
- Due to technical improvements, when the sample data are subject to change without notice.
- 样本为本公司常用规格型号, 我司可接受用户非标定制。
- Samples of the Company common specifications, I accept the user non-standard custom.



宏艳电气  
JXHY1111.COM

材质选用：通风网外框采用ABS树脂材质，添加阻燃及抗紫外线特性；滤网材质选用无纺布纤维过滤垫，能防止10微米以上的灰尘颗粒，除尘率高达AFI92%(AFI=JAPAN AIRFILTER INSTTUDE)可反复拆洗使用，建议在灰尘大的场所每周清洗一次，如纺织厂等。

外观设计：外框超薄型设计，颜色美观大方，通风口采用45度角创新设计，达到最佳空气流量及防水防尘效果。过滤网后部安装密封垫圈，紧密贴合机械，提高防水功能。

产品功能：防止灰尘及漂浮杂质侵入控制柜内部，无需工具，即可清除滤网上的灰尘及杂质。

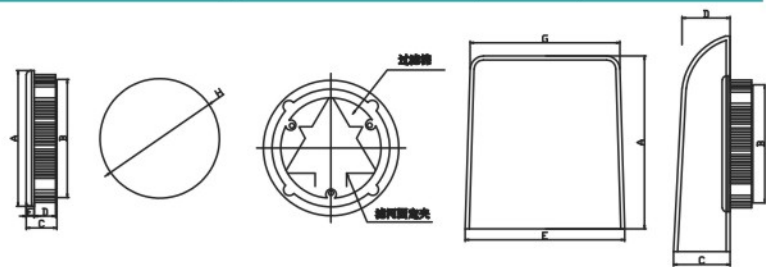
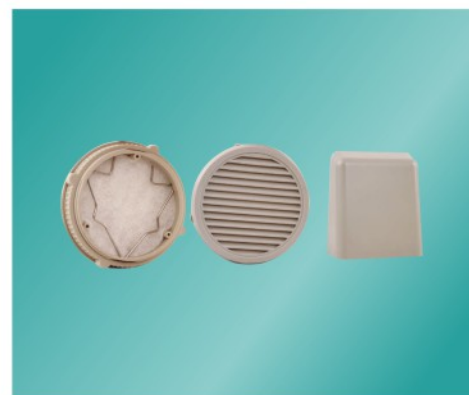
柜内电子元器件工作中会产生高温和静电离子，灰尘颗粒就会吸附到元器件的表面，从而影响到器件散热引发故障。高品质的滤网组件足以稳定低压自动控制系统的稳定效能，对工业生产、流程、品质监控能力发挥最大的投资效益。建议进出口都要装配。

Material selection: ventilation network frame using ABS resin material, adding flame retardant and anti ultraviolet properties; filter material selection of non-woven fiber mat, can prevent the dust particles larger than 10 microns, dust removal rate reaches as high as AFI92% (AFI=JAPAN AIRFILTER INSTTUDE) can be repeatedly washed, suggestions in cleaning dust place once a week. Such as textile factory.

Appearance design: the casing outside the ultra-thin design, color beautiful and easy, vents USES 45 degrees of Angle of innovation design, the best air flow and the effect of waterproof and dustproof. Filter back sealing washer, closely laminating machinery, improve the waterproof function.

Product features: to prevent the floating dust and impurities into control cabinet inside, without tools, can clear the dust and impurity on the filter.

Electronic components contained in the work can produce high temperature and electrostatic ion, dust particles would adsorption onto the surface of the components, so as to affect the cooling device cause of failure. The mesh of high quality components enough to stability of stable performance, low voltage automatic control system for industrial production, process, quality monitoring ability of maximum investment benefit. Suggest to assemble in both import and export.



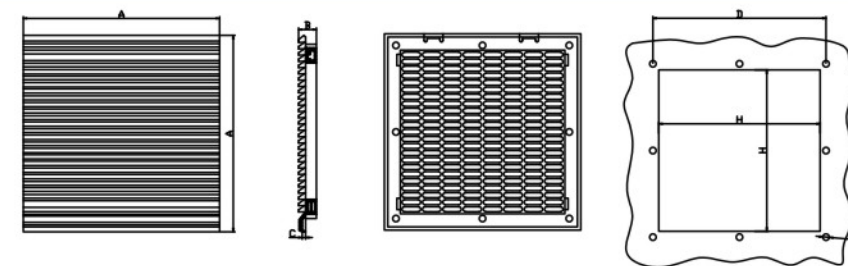
订货号 Order No.	A	B	C	D	E	G	H(开孔尺寸)
9901.207	102	88.8	23	16	6	-	90
9901.217	130	88.8	50	30	120	112	-
9902.207	120	108.8	23	16	6	-	101
9902.217	140	108.8	50	30	120	125	-

订货号 Order No. SK	9901.107	9901.117	9901.027	9901.017	9902.107	9902.117	9902.027	9902.017
额定电压 rated voltage VAC, Hz	230, 50/60	115, 50/60	24(直流 DC)	12(直流 DC)	230, 50/60	115, 50/60	24(直流 DC)	12(直流 DC)
风扇气流量	11~20M <sup>2</sup> /h				120/101/52			
尺寸：外形/开孔/厚度 size : appearance/trompil/thickness	102/90/52				20m <sup>2</sup> /h			
空气流量，自由送风 Free exhaust air flow	14m <sup>3</sup> /h 11/13m <sup>3</sup> /h				15/18m <sup>3</sup> /h			
空气流量，含进风网罩 The air flow with a ventilatton hood	IP55				IP55			
防护等级 levels of protection	(-30° C至+75° C)				(-30° C至+75° C)			
标配轴流风扇 aerofoil fan CA	8025.230	8025.115	8025.024	8025.012	9225.230	9225.115	9225.024	9225.012
环境温度 environment temperature	(-30° C至+75° C)				(-30° C至+75° C)			
出口网罩 Export network cover	9901.207				9902.207			
防喷水罩 Anti spray cover IP66	9901.217				9902.217			
EMC电磁屏蔽罩 EMC electromagnetic shielding	8000.317				9200.317			
温控器 temperature controller	3110.000-1				3110.000-1			

1.颜色为RAL7032时请咨询。Color is RAL7032 please contact.  
2.多功能报警风扇请咨询。Multi function alarm fan please contact.



宏艳电气  
JXHY1111.COM



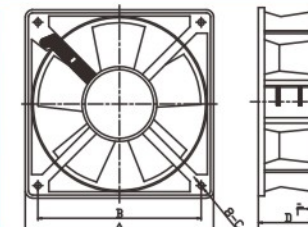
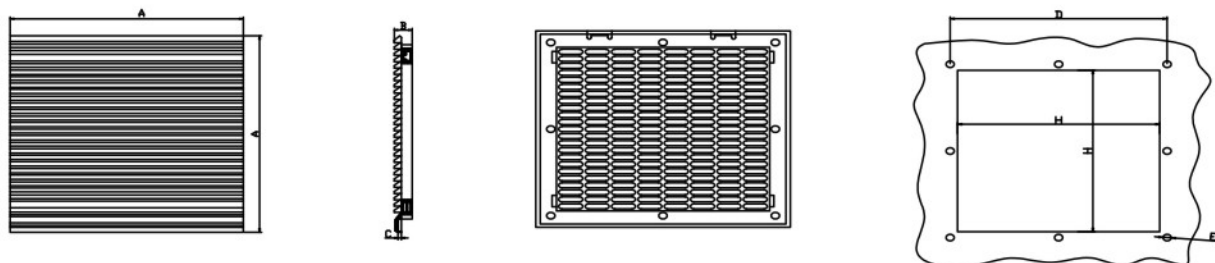
订货号 Order No.	A	B	C	D	E	H(开孔尺寸)	俗称
3319.207	80	17	10	68	Φ5	51	
3320.207	106	22	10	91	Φ5	82	9801
3321.207	116	22	10	102	Φ5	92.5	9802
3322.207	148.5	28	13.5	131	Φ5	122	9803
3323.207	204	28	13.5	184	Φ5	175	9804
3324.207	255	28	13.5	235	Φ5	223	9805
3325.207	320	28	13.5	300	Φ5	283	9806
3327.207	420*180	28	13.5	402*162	Φ5	391*151	9807
3328.207	360*120	28	13.5	330*98	Φ5	328*89	/
3329.207	510*120	28	15	492*102	Φ5	478*89	/

订货号 Order No. SK	3319.107	3319.117	3319.027	3319.017	3320.107	3320.117	3320.027	3320.017	3321.107	3321.117	3321.027	3321.017
额定电压 rated voltage VAC, Hz	230, 50/60	115, 50/60	24(直流 DC)	12(直流 DC)	230, 50/60	115, 50/60	24(直流 DC)	12(直流 DC)	230, 50/60	115, 50/60	24(直流 DC)	12(直流 DC)
尺寸：外形/开孔/厚度 size : appearance/trompil/thickness	正 80/61/47				正 106/82/52 (9801/8025)				正 116/92/52 (9802/9225)			
空气流量，自由送风 Free exhaust air flow	12m <sup>3</sup> /h				15m <sup>3</sup> /h				20/25			
空气流量，含进风网罩 The air flow with a ventilatton hood	9/10m <sup>3</sup> /h				2*CA3320207 11/14m <sup>3</sup> /h				2*CA3321207 15/18m <sup>3</sup> /h			
防护等级 levels of protection	IP55				IP55				IP55			
标配轴流风扇 aerofoil fan CA	6020.230	6020.115	6020.024	6020.012	8025.230	8025.115	8025.024	8025.012	9225.230	9225.115	9225.024	9225.012
环境温度 environment temperature	(-30° C至+75° C)				(-30° C至+75° C)				(-30° C至+75° C)			
出口网罩 Export network cover	3319.207				3320.207				3321.207			
防喷水罩 Anti spray cover IP66	3319.217				3320.217				3321.217			
EMC电磁屏蔽罩 EMC electromagnetic shielding	6000.317				8000.317				9200.317			
温控器 temperature controller	3110.000-1				3110.000-1				3110.000-1			

订货号 Order No. SK	3323.107	3323.117	3323.307	3323.027	3323.017	3323.107	3323.117	3323.307	3323.027	3323.017
额定电压 rated voltage VAC, Hz	230, 50/60	115, 50/60	380, 50/60	24(直流 DC)	12(直流 DC)	230, 50/60	115, 50/60	380, 50/60	24(直流 DC)	12(直流 DC)
尺寸：外形/开孔/厚度 size : appearance/trompil/thickness	正 148/122/71 (9803/1238)					正 204/175/83 (9804/1238)				
空气流量，自由送风 Free exhaust air flow	55/66					55				
空气流量，含进风网罩 The air flow with a ventilatton hood	2*CA3320207 43/50 m <sup>3</sup> /h					1*CA3325.207 71/82 m <sup>3</sup> /h, 2*CA3325.207 85/98 m <sup>3</sup> /h				
防护等级 levels of protection	IP55					IP55				
标配轴流风扇 aerofoil fan CA	1238.230	1238.115	1238.380	1238.024	1238.012	1238.230	1238.115	1238.380	1238.024	1238.012
环境温度 environment temperature	(-30° C至+75° C)					(-30° C至+75° C)				
出口网罩 Export network cover	3323.207					3323.207				
防喷水罩 Anti spray cover IP66	3323.217					3323.217				
EMC电磁屏蔽罩 EMC electromagnetic shielding	1200.317					1200.317				
温控器 temperature controller	3110.000-1	-	-	3110.000-1	-	3110.000-1	-	-	3110.000-1	-

订货号 Order No. SK	3324.107	3324.117	3324.307	3324.027	3324.017	3325.107	3325.117	3325.307	3325.027	
额定电压 rated voltage VAC,Hz	230, 50/60	115, 50/60	380.50/60	24(直流 DC)	12(直流 DC)	230, 50/60	115, 50/60	380.50/60	24(直流 DC)	
尺寸:外形/开孔/厚度 size: appearance/trompil/thickness	正 204/175/83 (9804/1725)					正 255/224/105 (9805/2206)				
空气流量,自由送风 Free exhaust air flow	180/160		180			230/265		330/345		230
空气流量,含进风网罩 The air flow with a ventilation hood	1*CA3324.207/71/82 m <sup>3</sup> /h, 2*CA3324.207 85/98 m <sup>3</sup> /h					1*CA3325.207/170/205 m <sup>3</sup> /h, 2*CA3325.207/200/230 m <sup>3</sup> /h				
防护等级 levels of protection	IP55					IP55				
标配轴流风扇 aerofoil fan CA	1725.230	1725.115	1725.380	1725.024	1725.012	2206.230	2206.115	2206.380	2206.024	
环境温度 environment temperature	(-30° C至+75° C)					(-30° C至+75° C)				
出口网罩 Export network cover	3323.207					3324.207				
防喷水罩 Anti spray cover IP66	3323.217					3324.107				
EMC电磁屏蔽罩 EMC electromagnetic shielding	1725.317					2206.317				
温控器 temperature controller	3110.000-1	-	3110.000-1	3110.000-1	-	3110.000-1	-	3110.000-1	-	

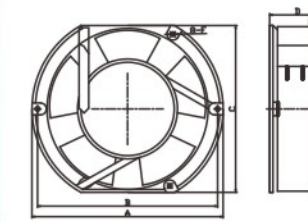
订货号 Order No. SK	3326.107	3326.117	3326.307	3326.027	3326.017	3327.107	3327.117	3327.027	3327.017
额定电压 rated voltage VAC,Hz	230, 50/60	115, 50/60	380.50/60	48(直流 DC)	24(直流 DC)	230, 50/60	115, 50/60	48(直流 DC)	24(直流 DC)
尺寸:外形/开孔/厚度 size: appearance/trompil/thickness	正 323/292/152 (FK9926)					正 323/292/172 (FK9926-D)			
空气流量,自由送风 Free exhaust air flow	640/710		630			1395/1530		1200	
空气流量,含进风网罩 The air flow with a ventilation hood	1*CA3326.207 460/495 m <sup>3</sup> /h, 2*CA3326.207 564/625 m <sup>3</sup> /h					1*CA3326.207 976/1300 m <sup>3</sup> /h, 2*CA3326.207 1200/1347 m <sup>3</sup> /h			
防护等级 levels of protection	IP55					IP55			
标配轴流风扇 aerofoil fan CA	2280.230	2280.115	2280.380	2280.048	2280.024	2880.230	2880.115	2880.048	2880.024
环境温度 environment temperature	(-30° C至+75° C)					(-30° C至+75° C)			
出口网罩 Export network cover	3325.207					3325.207			
防喷水罩 Anti spray cover IP66	3325.217					3325.217			
EMC电磁屏蔽罩 EMC electromagnetic shielding	2280.317					2880.317			
温控器 temperature controller	3110.000-1	-	3110.000-1	3110.000-1	-	3110.000-1	-	3110.000-1	-



订货号Order No.	A	B	C	D	E	F(螺丝尺寸)	适配网罩
6020.XXX	60 ± 0.5	50 ± 0.3	Φ4.2	20 ± 1	4 ± 0.3	M5	
8025.XXX	80 ± 0.5	71.5 ± 0.3	Φ4.2	25 ± 1	4 ± 0.3	M5	9801
9225.XXX	92 ± 0.5	82.5 ± 0.3	Φ4.2	25 ± 1	4 ± 0.3	M5	9802
1238.XXX	120 ± 0.5	104.8 ± 0.3	Φ4.2	38 ± 1	4 ± 0.3	M5	9803
2072.XXX	206 ± 0.5	174.5 ± 0.3	Φ6	72 ± 1	6 ± 0.3	M7	9806

轴流风扇 aerofoil fan CA	6020.230	6020.115	6020.024	6020.012	8025.230	8025.115	8025.024	8025.012	9225.230	9225.115	9225.024	9225.012
额定电压 rated voltage VAC,Hz	230, 50/60	115, 50/60	24(直流 DC)	12(直流 DC)	230, 50/60	115, 50/60	24(直流 DC)	12(直流 DC)	230, 50/60	115, 50/60	24(直流 DC)	12(直流 DC)
额定电流 Current A	0.07/0.06	0.12/0.10	0.09	0.08	0.10/0.08	0.14/0.13	0.16	0.25	0.10/0.09	0.17/0.16	0.15	0.25
功率 Inputpower W	6/5	2.16	1.9	20/18	3.84	3.0	20/18	3.6	20/18	3.6	20/18	3.6
转速 Speed R/min	2200/2700	4500	2700/3200	3100	2650/3150	2900	2650/3150	2900	2650/3150	2900	2650/3150	2900
噪音 Noise dB/A	28/30	31	30/32	34.4	30/37	35	30/37	35	30/37	35	30/37	35
重量 Weight G	130	49	210	86	220	101	220	101	220	101	220	101
护网 Retainer 金属 Metal	6020.001			8025.001			9225.001			9225.001		
ABS树脂 ABS resin	6020.002			8025.002			9225.002			9225.002		

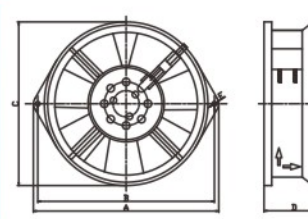
1.电压特殊时请洽询。Voltage special, please contact.  
2.多功能报警风扇请洽询。Multi function alarm fan please contact.



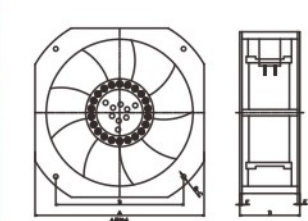
订货号Order No.	A	B	C	D	E	F(螺丝尺寸)	适配网罩
1725.XXX	172 ± 0.5	162 ± 0.3	150 ± 0.2	50 ± 1	Φ4.2	M5	9804 9805

轴流风扇 aerofoil fan CA	1238.230	1238.115	1238.380	1238.024	1238.012	※1238.264	1725.230	1725.115	1725.380	1725.024	1725.012
额定电压 rated voltage VAC,Hz	230, 50/60	115, 50/60	380.50/60	24(直流 DC)	12(直流 DC)	85-264.50/60	230, 50/60	115, 50/60	380.50/60	24(直流 DC)	12(直流 DC)
额定电流 Current A	0.11/0.11	0.22/0.20	0.05/0.06	0.32	0.50	0.18/0.15	0.18/0.15	0.43/0.36	0.09/0.11	1.70	1.70
功率 Inputpower W	23/23	23/21	20/21	7.68	6.00	12/16	32/30	33/31	33/31	16.8	16.80
转速 Speed R/min	2800/3400		2800		2800/4000		2700/3100		4000		3100
噪音 Noise dB/A	54/58		42.8		45/64		60/62		64		56
重量 Weight G	490		297		500		805		735		
耐高温轴流风扇 100°C以下	1238.330	1238.215	1238.480	-	-	-	1725.33	1725.215	1725.48	-	-
130°C以下	1238.430	1238.315	1238.580	-	-	-	-	-	-	-	-
护网 Retainer 金属 Metal	1238.001						1725.001			1725.001	
ABS树脂 ABS resin	1238.002						1725.002			1725.002	

※1238.264风扇:适用于全球通用电压。产品自配的感温调速装置,可根据温度的波动自动调整风扇的转速,从而减少噪声,节省电能,增加产品的使用寿命。  
※1238.264 the fan: general voltage applied internationally. Products, since the distribution of thermal control device can be adjusted automatically according to the fluctuation of temperature the speed of the fan, reducing noise, saving energy, increase the service life of the product.

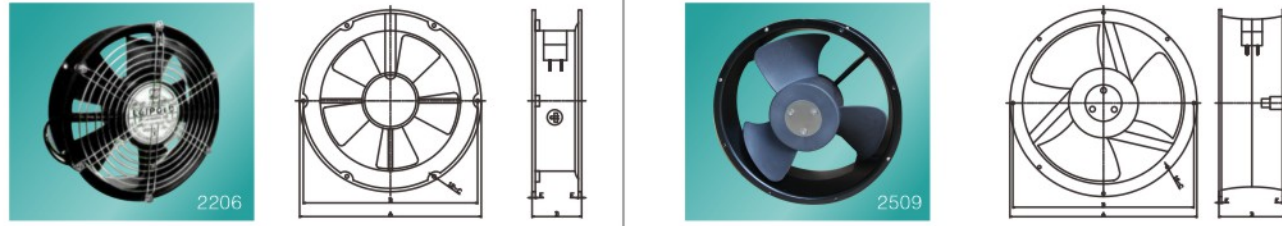


订货号Order No.	A	B	C	D	E	F(螺丝尺寸)	适配网罩
1750.XXX	170 ± 1	162 ± 1	150 ± 1	55 ± 0.4	Φ4.2	M5	9804 9805



订货号Order No.	A	B	C	D	E	F(螺丝尺寸)	适配网罩
2280.XXX	225	168	Φ6	80	3 ± 0.3	M7	9926
2880.XXX	280	209	Φ6	80	3 ± 0.3	M7	9926D

轴流风扇 aerofoil fan CA	1750.230	1750.115	1750.380	1750.024	2280.230	2280.115	2280.380	2280.048	2280.024	2880.230	2880.115	2880.380	2880.048	2880.024
额定电压 rated voltage VAC,Hz	230, 50/60	115, 50/60	380.50/60	24(直流 DC)	230, 50/60	115, 50/60	380.50/60	48(直流 DC)	24(直流 DC)	230, 50/60	115, 50/60	380.50/60	48(直流 DC)	24(直流 DC)
额定电流 Current A	0.33/0.28	0.56/0.49	0.20/0.18	0.46	0.30/0.34	0.60/0.64	0.18/0.20	1.30	2.60	0.48/0.62	1.10/1.20	0.29/0.39	2.60	5.00
功率 Inputpower W	47/41	45/40	20/21	14	65/77	65/75	64/78	55	260	105/140	110/136	115/150	105	500
转速 Speed R/min	2900/3300		3100		2550/2750		2950		2550/2800		2750		2750	
噪音 Noise dB/A	48/52		50		59/61		60		69/70		80		80	
重量 Weight G	980		2200		2150		2800		3280.001		3280.001		3280.001	
护网 Retainer 金属 Metal	1755.001				2680.001				3280.001					
ABS树脂 ABS resin	1755.002				2680.002				3280.002					



订货号 Order No.	A	B	C	D	E	F(螺丝尺寸)	适配网罩
2206.XXX	Φ220±0.5	211±0.3	Φ4.5±0.3	60±0.1	4±0.5	M5	9805/9806
2509.XXX	Φ254	Φ211	Φ4.4±0.2	89.9±0.2	3	M5	9806

轴流风扇 aerofoil fan CA	2206.230	2206.115	2206.380	2509.230	2509.115	2509.380	2072.230	2072.115	2072.380
额定电压 rated voltage VAC,Hz	230, 50/60	115, 50/60	380, 50/60	230, 50/60	115, 50/60	380, 50/60	230, 50/60	115, 50/60	380, 50/60
额定电流 Current A	0.18/0.25	0.35/0.43	0.08/0.09	0.22/0.28	0.45/0.56	0.14/0.18	0.38/0.50	0.70/0.90	0.18/0.18
功率 Inputpower W	40/53	40/48	0.8	50/64	50/63	48/62		85/115	
转速 Speed R/min		2800/3300			2500/2500			2900/3400	
噪音 Noise dB/A		63/68			66/66			71/74	
重量 Weinght G		1180			1940	2509.480		2250	
耐高温轴流风扇 100°C以下	2206.330	2206.215	2206.480	2509.330	2509.215				
护网 Retainer 金属 Metal		1755.001			2680.001			3280.001	
ABS树脂 ABS resin		1755.002			2680.002			3280.002	

DA涡流式工频离心风机 DA vortex frequency centrifugal fan	13341.115	13341.230	13341.380	17545.115	17545.230	17545.380	19045.115	19045.230	19045.380	22044.115	22044.230	12044.380
额定电压 rated voltage VAC,Hz	115, 50/60	230, 50/60	380, 50/60	115, 50/60	230, 50/60	380, 50/60	115, 50/60	230, 50/60	380, 50/60	115, 50/60	230, 50/60	380, 50/60
额定电流 Current A	0.51/0.42	0.25/0.23	0.13/0.11	0.57/0.53	0.27/0.28		0.64/0.65	0.26/0.33	0.17/0.19	1.00/1.07	0.46/0.51	0.13/0.11
功率 Inputpower W	38/35	41/40	35/34	56/59	56/62		65/71	58/74	63/73	98/120	98/118	93/122
转速 Speed R/min	2650/2700	2550/2670		2850/3100				2500/2700			2600/2900	
最大风量 Maximum air flow m3/h		270/300		550/590				570/620			860/980	
噪音 Noise dB/A		52/55		60/64				59/61			67/70	
重量 Weinght G		660		1240				1270			1800	



DA涡流式工频离心风机 DA vortex frequency centrifugal fan	22563.115	22563.230	22563.380	25048.115	25048.230	25048.380	31510.115	31510.230	31510.380	35595.115	35595.230	35595.380
额定电压 rated voltage VAC,Hz	115, 50/60	230, 50/60	380, 50/60	115, 50/60	230, 50/60	380, 50/60	115, 50/60	230, 50/60	380, 50/60	115, 50/60	230, 50/60	380, 50/60
额定电流 Current A	1.30/1.45	0.60/0.74	0.34/0.45	1.24/1.35	0.59/0.76	0.32/0.46		0.51/0.70	0.40/0.47		0.78/1.00	0.78/0.40
功率 Inputpower W	130/171	131/170	131/170	116/150	131/173	120/172		115/160	128/170		170/230	230/232
转速 Speed R/min		2650/2950			2650/2950			1380/1500	1380/1540			1380/1550
最大风量 Maximum air flow m3/h		1200/1340			1250/1350			2130/2380				2550/2900
噪音 Noise dB/A		68/71			69/71			59/62				66/69
重量 Weinght G		2300			2700			3800				4700

金属护网 Metal retainer	ABS护网 ABS retainer	ABS三合一网罩 ABS triad net	适用风扇 Application of fan
6000.001	6000.002	6000.003	60*60
8000.001	8000.002	8000.003	80*80
9200.001	9200.002	9200.003	92*92
1200.001	1200.002	1200.003	120*120
1725.001	1725.002	1725.003	170*150
1750.001	1750.002	1750.003	170*162
2280.001	2280.002	2280.003	225*225
2880.001	2880.002	2880.003	280*280
2206.001	2206.002	2206.003	Φ220
2500.001	2500.002	2500.003	Φ254
2000.001	2000.002	2000.003	206*206

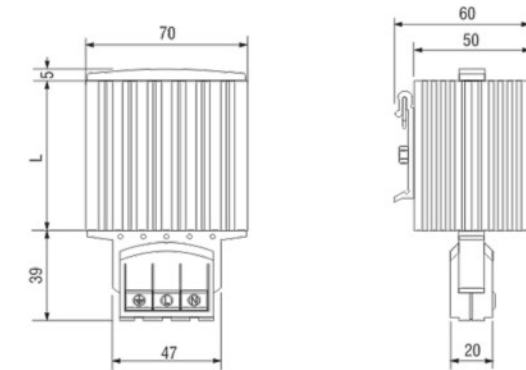
金属护网：  
用于轴流风扇的防护罩，符合欧洲EN 294。  
材料：金属钢丝冲压焊接成形。  
外观：表面镀镍处理，提高耐腐蚀。  
Metal retainer：  
Shield for axial flow fan, accord with the European EN 294.  
Material: steel stamping welding metal.  
Appearance: the surface of the nickel plating processing, improve the corrosion resistance.



当电气柜内外温差到一定程度后，带来的一大问题是：柜内出现空气凝露现象，即空气中的水蒸气分压在接近标准大气压的状态下，大气露点温度约零下20°C至零下30°C左右，这时会出现水蒸气凝结，而对于电气柜而言，水蒸气凝结成水后以露珠形态散落于柜内各处可能导致一系列的问题，比如绝缘强度降低、线路短路、信号误差等，不但电气系统可能工作不正常，严重的可能会损坏元器件或设备。配电柜如果是用在零下10度以下的环境中必须要安装加热器来控制柜加热和除湿的，PLC一般工作温度很少是在零度以下工作的，这样会对PLC的寿命以及其他元器件造成一定的影响，一般来说在我公司配电柜里面安装的加热器都是带风扇的，这样可以使加热器所吹出来的热风得到很均匀的散开。本公司认为给PLC柜加装保温层，再加电加热器和温控器辅助这个方法是最经济环保低碳的。由于PLC本身发出一定的热量，如果保温效果好的话，用定时器设好时间提前开机预热，也许电加热器不用开。

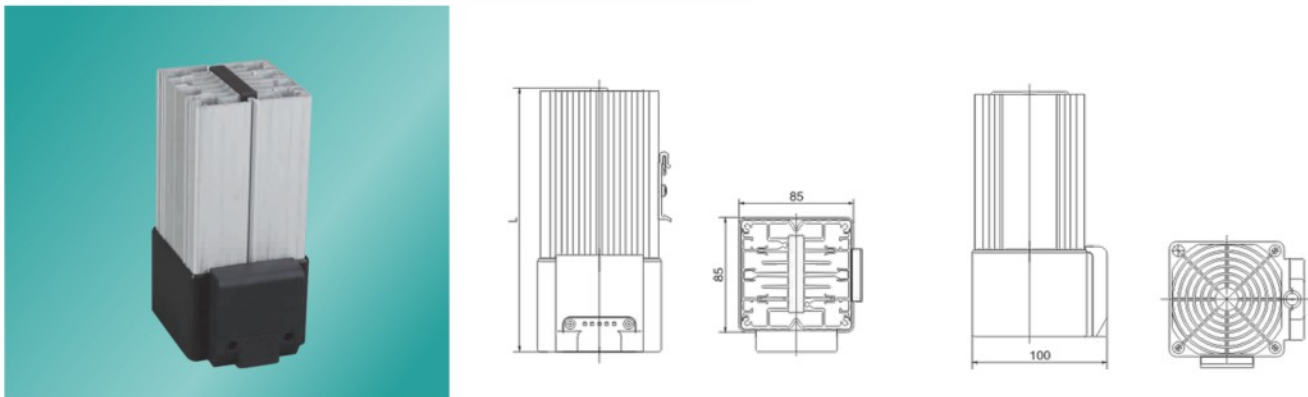
When the electrical cabinet inside and outside temperature to a certain degree, a big problem is: air condensation phenomenon in the cabinet, the air in the water vapor partial pressure near the standard atmospheric condition, dew point temperature of air around minus 20°C to - 30°C, then there will be water vapor condensation, and for the electrical cabinet, water vapor condenses into water to form dew scattered in the cabinet everywhere are likely to cause a series of problems, such as insulation strength reduction, short circuit, signal error, not only the electrical system may not work properly, serious may damage the components or equipment. Power distribution cabinet if it is to use must be in the 10 degrees below zero environment below to install the heater to control heating and dehumidification, PLC general working temperature is rarely work below zero, it will cause a certain impact on the life of PLC and other components, the heater in general in our distribution cabinet installation it is with a fan, so that the heater blowing out hot air is evenly spread. The company considers to the PLC cabinet installation heat preservation layer, coupled with the electric heater and thermostat aided this method is the most economic and environmentally friendly low carbon. Because PLC itself a certain degree of heat, if the insulation effect is good, with a time controller set a good warm-up ahead of time, perhaps the electric heater without.

## 半导体加热器1 Semiconductor heater 1



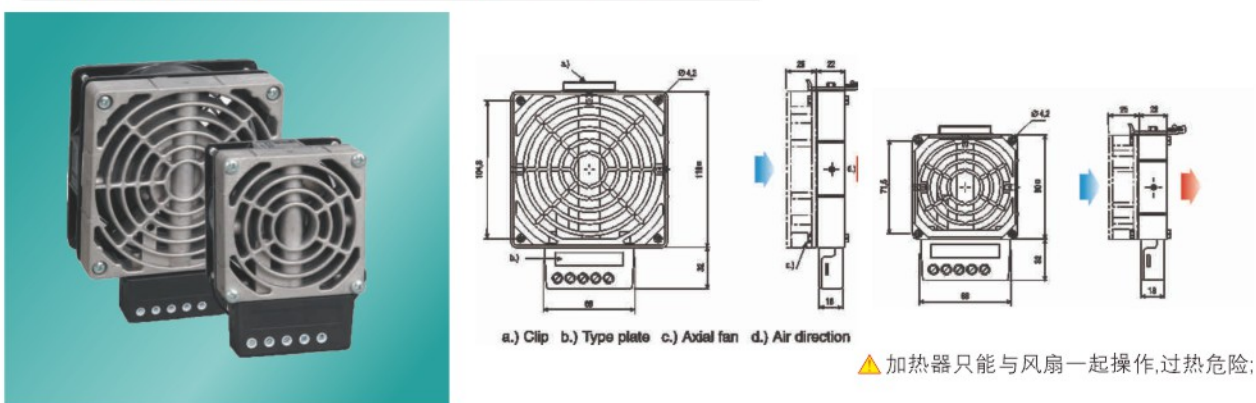
序号 No.	订货号 Order No.	3105.000	3115.000	3116.000	3117.000	3118.000	3119.000	3120.000
1	电压 Voltage AC/DC V	110-240,交流/直流;						
2	功率 power W	15	30	45	60	75	100	150
3	最大电流 Maximum current A	1.5	3.0	3.5	2.5	4	4.5	9
4	长度 Length L	65	65	65	140	140	140	220
5	重量 Weight G	300	300	300	400	500	500	700
6	温控器 Thermostat	3110.000-1或3112.000						

## 电阻风机加热器 Resistance fan heater



序号 No.	订货号 Order No.	3133.230	3133.120	3133.048	3133.024	3134.230	3134.120	3134.048
1	电压 Voltage AC V	230,50/60	120,50/60	48V(直流DC)	24V(直流DC)	230,50/60	120,50/60	48V(直流DC)
2	功率 power W	250			400			
3	尺寸 Size	182			222			
4	重量 Weight G	1100			1400			
5	温控器 Thermostat	3110.000-1						

## 电热管风机加热器 Electric heat pipe fan heater



序号 No.	订货号 Order No.	3128.230	3128.120	3129.230	3129.120	3130.230	3130.120	3131.230	3131.120	3132.230	3132.120	
1	电压 Voltage AC V	230,50/60	120,50/60	230,50/60	120,50/60	230,50/60	120,50/60	230,50/60	120,50/60	230,50/60	120,50/60	
2	功率 power W	100	150	200	300	400						
3	尺寸 Size	80*112*47				119*151*47						
4	重量 Weight G	600				900						
5	温控器 Thermostat	3110.000-1				3110.000-1						

说明: 其他规格洽询 Note: other specifications for

## 温度控制器 Temperature Controller

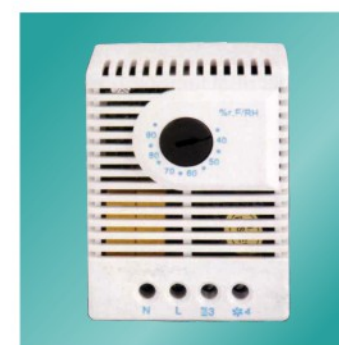


订货号 Order No.	3110.000-1
电压 Voltage	230/115/60/48/24V(AC) 60/48/24V (DC)
调节范围 Adjusting range	(+5° C至+60° C)
允许的触电负荷 Electric shock load allowed	KL 5-3(加热), 交流10(4) A, 直流=30W KL 5-4(冷却), 交流5(4) A, 直流=30W KL 5-3 (heating), AC 10 (4) A, DC =30W KL 5-4 (cooling), AC 5 (4) A, DC =30W
尺寸 Size	70*70*33MM
安装方式 Installation	35MM导轨 35MM rail
重量 Weight	105g



订货号 Order No.	3112.000
最大开关容量 Largest switching capacity	250VAC, 10(2)A/120VAC, 15(2)A/DC30W
调节范围 Adjusting range	(0° C至+60° C) (0° C to +60° C)
切换公差 Switching tolerances	7K(正负4K) 7k(Positive and negative 4K)
触点 Contact	常开: 风扇; 常闭: 加热器 Normally open: Fan; Normally closed: heater
接线 Wiring	4极, 单股2.5mm, 多股1.5mm 4 pole, single stranded 2.5mm, multiple strands of 1.5mm
尺寸 Size	67*50*46
安装方式 Installation	35MM导轨 35MM rail
重量 Weight	90g
使用环境温度 Use environment temperature	20° C至80° C 20° C to 80° C

## 湿度控制器 Humidity Controller



什么是湿度? 凝露? 两者的区别?

What is the humidity? Gel? The difference between the two?

答: 湿度分为绝对湿度和相对湿度。绝对湿度是指每立方米的空气中含有水蒸气的质量。相对湿度是指水蒸气在空气中达到饱和的程度, 饱和时为100%RH。当绝对湿度不变时温度越高相对湿度越小。凝露是当空气湿度达到一定饱和程度时, 在温度相对较低的物体上凝结的一种现象。湿度是普遍存在的, 而凝露只是湿度达到一定程度时的一种特殊现象。

Answer: humidity is divided into the absolute humidity and relative humidity. Absolute humidity is a mass of water vapour containing every cubic meter of air. Relative humidity is the amount of water vapor in the air reaches saturation, saturation is 100%RH. When the relative humidity is unchanged when the temperature is high relative humidity is small. Gel is when the air humidity reaches a certain degree of saturation, a phenomenon of condensation in the relatively low temperature object. Humid. Humidity is widespread, and the gel is the humidity to a special phenomenon in a certain degree.

订货号 Order No.	3118.000-1
最大开关容量 Largest switching capacity	250VAC, 5 (0.2) A/DC 20W
调节范围 Adjusting range	(35° C至+90° C) (35° C to +90° C)
允许空气速率 Allow the air rate	15米/秒 15 m/s
切换公差 Switching tolerances	4%RH(正负3%) 4% RH (plus or minus 3%)
触点 Contact	超过65%启动 More than 65% start
接线 Wiring	3极, 单股2.5mm, 多股1.5mm 3 pole, single stranded 2.5mm, multiple strands of 1.5mm
尺寸 Size	67*50*38
安装方式 Installation	35MM导轨 35MM rail
重量 Weight	60g
使用环境温度 Use environment temperature	(-20° C至80° C) (-20° C to 80° C)



材料 Material	压铸铝合金AlSi12 Pack alloy AlSi12
密封条 Sealing strip	硅橡胶(可提供特种密封条) Silicon rubber (special sealing strip option)
使用环境温度 Operating environment temperature	-50°C至+130°C -50°C to +130°C
防护等级 Protection grade	IP67(可提供认证) IP67( Can provide certification)

盒盖螺钉 Cover screw	不锈钢十字槽(不易脱落) SUS cross slot (loose-proof)
颜色 Color	RAL7001(可提供特殊颜色) Near RAL7001 (Can provide special color)
加工服务 Processing service	可按用户要求进行加工, 并安装 电缆接头和接线端子等附件。 Processing as customer requested available with cable connectors and terminals installed

序号 No.	订货号 Order No.	W	H	D	W1	H1	W2	H2	W3	H3	G1	L/L1	L2/L3	D1	"安装板" Mounting plate	"焊接固定架" Welding fixture	"图纸Drawing"
1	9109.210	80	80	65	69	69	72	72	49	42	63	24	16	59	9109.006	/	参3.图纸
2	9127.210	140	80	60	128	68	133	73	46	114	122	14	24	54	9127.006	9109.004	参28.图纸
3	9133.210	160	100	70	146	86	153	93	44	133	142	38	/	60	/	/	参21.图纸
4	9112.210	160	160	90	140	140	151	151	85	115	130	78	/	76	/	/	参21.图纸
5	9141.210	220	120	80	204	104	212	112	59	183	193	50	/	72	9141.006	9116.004	参21.图纸
6	9141.210	220	140	80	204	124	212	132	79	183	193	50	/	72	9142.006	/	参21.图纸
7	9153.210	270	150	90	254	134	262	142	74	238	248	27	27	82	9153.006	/	参21.图纸
8	9117.210	280	230	110	260	210	271	221	151	241	250	144	120/80	102	9117.006	/	参55.图纸
9	9157.210	330	230	120	311	211	321	218	150	284	303	120	80	113	/	/	参55.图纸
10	9159.210	400	230	110	380	210	391	221	158	361	370	144	120/80	101	9159.006	9128.004	参55.图纸

序号 No.	订货号 Order No.	W	H	D	W1	H1	W2	H2	W3	H3	G1	L/L1	L2/L3	D1	"安装板" Mounting plate	"焊接固定架" Welding fixture	"图纸Drawing"
11	9100.210	50	45	30	37	32	43	38	15	11	29	20	/	25	/	9100.004	参3.图纸
12	9101.210	64	58	36	51	45	57	51	28	25	42	34	/	31	/	9101.004	参3.图纸
13	9104.210	80	75	57	68	63	72	66	46	43	58	240	150	53	9104.006	9102.004	参3.图纸
14	9115.210	90	36	31	81	27	82	27	11	64	24	59	/	25	9115.006	9103.004	参10.图纸
15	9102.210	98	63	34	86	52	89	55	25	67	32	80	/	28	9102.006	9104.004	参6.图纸
16	9120.210	100	100	60	88	88	91	91	61	69	68	82	/	52	9120.006	9105.004	参6.图纸
17	9121.210	100	100	80	88	88	91	91	61	69	68	82	/	72	/	/	参6.图纸
18	9122.210	83	106	61	70	93	75	98	58	59	24	67	/	54	9122.006	/	参21.图纸
19	9123.210	110	64	37	100	54	100	54	38	83	50	83	/	31	9123.006	9106.004	参10.图纸
20	9124.210	115	65	55	102	52	105	55	25	83	47	74	/	48	9124.006	9107.004	参10.图纸
21	9125.210	121	81	58	108	68	111	71	46	34	62	86	/	50	9125.006	9108.004	参12.图纸
22	9126.210	120	80	66	108	68	111	71	46	34	62	86	/	58	/	/	参12.图纸
23	9108.210	120	120	82	104	106	108	110	84	62	99	56	/	73	9108.006	/	参3.图纸
24	9105.210	80	125	58	68	113	71	116	95	40	107	24	16	51	9105.006	/	参3.图纸
25	9128.210	140	140	75	88	88	92	92	72	63	83	59	/	71	9128.006	/	参3.图纸
26	9129.210	140	140	90	88	88	92	92	72	63	83	59	/	86	/	/	参3.图纸
27	9130.210	140	140	100	88	88	92	92	72	63	83	59	/	96	/	/	参3.图纸
28	9103.210	150	64	36	138	51	143	57	27	121	30	132	/	30	9103.006	9110.004	参6.图纸
29	9131.210	150	100	81	134	84	140	90	37	110	128	13	13	73	9131.006	/	参21.图纸
30	9132.210	160	100	65	146	86	153	93	44	133	142	38	/	55	9132.006	9111.004	参21.图纸
31	9134.210	160	100	80	146	86	153	93	44	133	142	38	/	70	/	/	参21.图纸
32	9135.210	160	160	65	146	146	153	153	133	133	142	98	/	55	9135.006	/	参21.图纸
33	9106.210	175	80	58	163	68	166	69	41	144	156	15	24	50	9106.006	9112.004	参28.图纸
34	9136.210	175	80	80	163	68	165	68	41	143	156	15	24	74	/	/	参28.图纸
35	9137.210	180	180	100	160	160	169	169	138	108	150	48	48	95	9137.006	9113.004	参21.图纸
36	9138.210	188	120	80	176	108	178	110	89	67	103	153	/	73	9138.006	9114.004	参12.图纸
37	9139.210	200	100	80	186	83	190	90	52	172	180	21	21	72	9139.006	9115.004	参21.图纸
38	9140.210	200	140	90	180	123	189	129	74	161	170	32	32	82	9140.006	/	参21.图纸
39	9110.210	220	120	90	204	104	208	107	59	181	52	195	/	82	/	9117.004	参21.图纸
40	9143.210	222	146	60	210	134	210	134	101	80	128	184	/	51	9143.006	/	参37.图纸
41	9144.210	222	146	80	210	134	210	134	101	80	128	184	/	71	/	/	参37.图纸
42	9145.210	222	156	75	210	144	210	144	111	80	138	184	/	66	9145.006	/	参37.图纸
43	9146.210	230	150	75	218	138	218	138	105	88	146	178	/	66	9146.006	9118.004	参37.图纸
44	9116.210	232	202	110	210	180	215	185	151	151	170	145	120/80	102	9116.006	/	参40.图纸
45	9147.210	230	200	120	210	180	215	185	151	151	170	145	120/80	112	/	/	参40.图纸
46	9148.210	230	200	180	210	180	215	185	151	151	170	145	120/80	172	/	/	参40.图纸
47	9149.210	160	240	100	144	224	97	201	228	148	218	72	36	93	9149.006	9119.004	参40.图纸
48	9107.210	250	80	57	239	68	242	69	41	219	231	15	24	50	9107.006	9120.004	参28.图纸
49	9150.210	250	80	65	239	68	242	69	41	219	231	15	24	58	/	/	参28.图纸
50	9151.210	250	80	80	239	68	242	69	41	219	231	15	24	63	/	/	参28.图纸
51	9113.210	260	160	90	240	140	252	151	83	221	232	38	38	79	9113.006	9121.004	参21.图纸
52	9152.210	270	120	90	254	104	258	107	74	238	248	26	26	82	9152.006	9122.004	参21.图纸
53	9154.210	280	180	100	260	164	271	117	168	241	250	82	46	93	9154.006	9123.004	参55.图纸
54	9155.210	280	230	150	260	210	271	221	151	241	250	144	120/80	142	/	/	参55.图纸
55	9156.210	320	160	90	304	144	281	97	15	307	298	72	36	83	9156.006	9124.004	参55.图纸
56	9118.210	330	230	110	311	211	321	218	150	284	303	120	80	103	9118.006	9125.004	参55.图纸
57	9119.210	332	232	180	312	211	315	218	150	284	303	142	78	173	/	/	参55.图纸
58	9111.210	360	119	81	343	102	349	108	56	320	333	27	27	73	9111.006	9126.004	参21.图纸
59	9114.210	360	160	90	343	144	348	149	86	320	330	38	38	83	9114.006	/	参21.图纸
60	9158.210	390	280	160	369	259	376	266	201	345	364	187	/	152	9158.006	9127.004	参55.图纸
61	9160.210	400	310	110	"369/114"	293	376	293	255	293	284	200	120	102	9160.006	/	参62.图纸
62	9161.210	496	366	200	"465/146"	343	472	343	307	391	380	250	170	192	9161.006	9129.004	参62.图纸





### 照明灯 Lighting

订货号 OrderNo.	4138.140-1	4138.180-1	4138.300-1	4139.140-1	4139.180-1	4139.141-1	4139.181-1
长 L	422	682	990	422	682	422	682
宽 W	50						
高 H	117						
孔距 Pitch	224	400	600	224	400	224	400
功率 W	10	18	30	10	18	10	18
电压 V	220V, 50Hz			220V, 50 60Hz		110-130V, 50 60Hz	

备注: 如果是欧标插座的把订货号最后两位数“-1”修改成“-2”

NOTE: If you are European sockets last two digits in the order number "-1" changed to "-2"

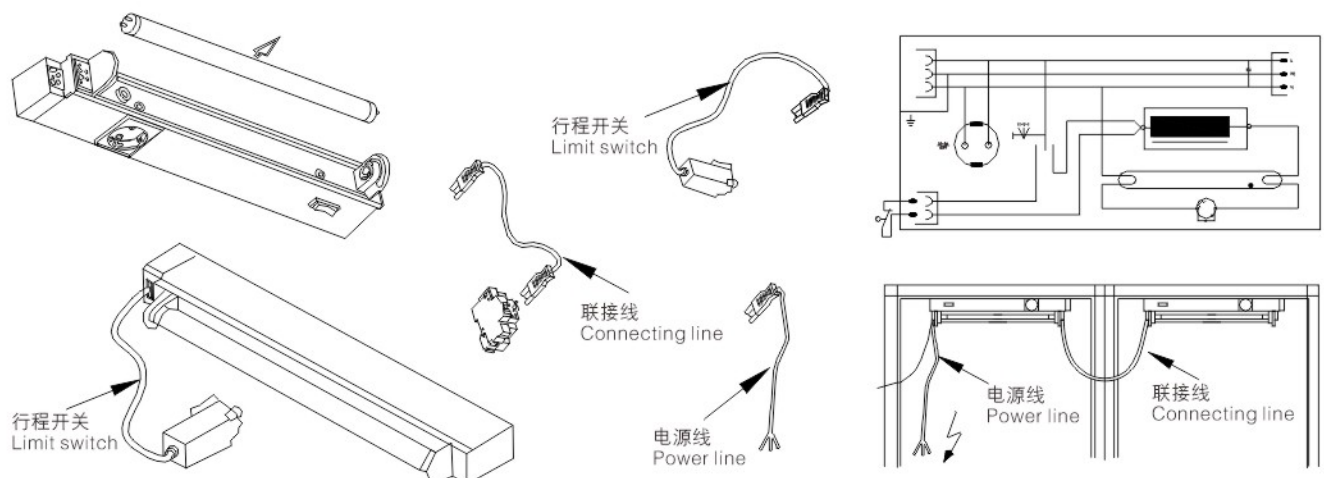


订货号 Order No.	长 L	宽 W	高 H	功率 W	电压 V	芯片数量 Chip Only	光源性质 Source nature
4138004	195	22	42	4	220	-	白色日光灯管
4138006	256	22	42	6	220	-	白色日光灯管
4138008	332	22	42	8	220	-	白色日光灯管
4138012	528	22	42	12	220	-	白色日光灯管
4138021	892	22	42	21	220	-	白色日光灯管
4139005	310	24	35	5	DC12-24	21珠	LED 5050贴片
4139008	567	24	35	12	DC12-24	42珠	LED 5050贴片
4140004	296	24	29	4	90-260	30珠	LED 3014贴片
4140007	567	24	29	7	90-260	60珠	LED 3014贴片
4140010	862	24	29	10	90-260	90珠	LED 3014贴片
4140014	1162	24	29	14	90-260	120珠	LED 3014贴片

### 门控照明灯开关 Gated light switch



订货号 OrderNo.	4315.500-1	4315.200-1	4315.600-1	4315.4000-1	4315.100-3	4315.100-2	4315.100-1
线长 MM	500	1000	600	4000	3000	2000	1000
颜色 Color	白色 White	橙色 Orange	橙色 Orange	橙色 Orange	橙色 Orange	橙色 Orange	橙色 Orange



### 产品特性 Product Features

本产品属快干热塑性丙烯酸气雾漆, 具有施工操作灵活简便, 喷涂雾化性好, 喷出率高的特点, 油漆干燥迅速, 漆膜丰满度高, 硬度, 附着力, 光泽, 柔韧性, 耐冲击等综合物性优, 色彩丰富艳丽, 装饰效果优良, 并具有极好的保护功能, 广泛应用于各种机柜、金属, 表面处理过的木材, 玻璃, ABS塑料等多种底材的涂装。This product is a quick-drying thermoplastic acrylic aerosol paint, with the construction of flexible operations, good spray atomization, spray rate characteristics, paints dry quickly, film fullness, hardness, adhesion, gloss, flexibility, impact resistance and other physical properties superior integrated, beautiful rich color, excellent decorative effect, and has excellent protection, is widely used in a variety of metals, surface-treated wood, glass, ABS plastic and other substrates coated.

### 使用方法 Usage

- 表面处理: 新的光滑表面, 清除油垢, 打磨至粗糙度达RZ40um左右; 已涂过非镀锌油漆的表面, 应完全去除原涂膜后清洁干净; 对已涂过镀锌或热镀锌的表面, 清除其表面灰尘、油污及疏松层后直接使用。
- 上下摇晃罐体, 待罐内珠子摇响后, 继续摇动约1分钟, 使物料充分混合均匀, 以防堵塞, 距被涂物约200mm, 根据需要来回均匀喷涂。
- 用于修补, 喷涂厚度可视破损程度, 来回喷涂2-3遍。
- 如一次未喷完, 请将罐体倒置, 压下喷头3秒钟, 清除喷嘴余料以防堵塞。
- surface treatment: new smooth surface, remove grease, polished to a roughness of about RZ40um; has coated the surface of non-galvanized paint should be removed completely clean after the original film; overspray on zinc coated or hot dip surface zinc, directly after clearing the surface dirt, oil and loose layer.
- upper and lower body shaking, until the tank beads rang continue shaking for about one minute, so that the material fully mixed, to prevent clogging from being painted about 200mm, back and forth evenly spray as needed.
- for the repair, the extent of damage visible coating thickness, spray 2-3 times back and forth.
- such as a non-finish spray, place the tank upside down, depressing the nozzle 3 seconds to clear the nozzle more than expected to prevent gag.

### 适用范围 Scope

本品广泛应用于各种金属、机柜、表面处理过的木材、玻璃、陶瓷、皮革品、ABS塑料等多种底材的涂装、修补。This product is widely used in a variety of metals, cabinets, surface-treated wood, glass, ceramics, leather goods, ABS plastic and other substrates painting, repair.

### 注意事项 Note

- 对不明材质, 颜色色差不确定, 请先小面积试喷, 10分钟后无不良反应则可使用;
- 喷漆时必须保持气雾罐正立且与水平夹角不得小于45度;
- 请在空气流通处施工, 环境宜阴凉干燥, 无灰尘, 有利于涂饰效果;
- 不要在阴雨天或严寒的环境下施工;
- 本品易燃, 请存放在0-40度的阴凉干燥处, 远离热源与明火, 严禁曝晒, 刺破或焚烧罐子。
- 用完后将空罐倒置, 按下喷头放完罐里的残余气体, 并将空罐放到安全场所。
- Of unknown material, color color uncertain, please try spraying a small area, no adverse reaction after 10 minutes, you can use;
- aerosol cans must be kept upright and horizontal angle of not less than 45 degrees when the painting;
- in the air circulation construction, environment should be cool, dry, and free of dust, is conducive to finishing effect;
- Do not apply in rainy days or cold environments;
- this product is flammable, please store at 0-40 degrees cool dry place, away from heat and open flames, non-exposure, puncture or incinerate jar.
- will run out of cans upside down, press the nozzle discharged residual gas tank and empty into a safe place.

序号 No.	订货号 Order No.	颜色 Color	俗称 Commonly known as	包装 Packing
1	1100.7035	RAL7035	电脑白 PC White	25罐/箱 25 cans/boxes
2	1100.7032	RAL7032	电脑灰 PC Gray	
3	1100.7001	RAL7001		
4	1100.7010	RAL7010		
5	1100.7015	RAL7015		
6	1100.7016	RAL7016		
7	1100.7022	RAL7022		
8	1100.7024	RAL7024		
9	1100.7030	RAL7030		
10	1100.7040	RAL7040		
11	1100.1013	RAL1013		
12	1100.1014	RAL1014		
13	1100.3001	RAL3001		
14	1100.5005	RAL5005		
15	1100.5015	RAL5015	海蓝 Highland	
16	1100.5018	RAL5018		
17	1100.9001	RAL9001		
18	1100.9002	RAL9002		
19	1100.9006	RAL9006		
20	1100.9010	RAL9010	乳白 Milky	

\*备注250ml Remarks 250ml

\*特殊颜色客户提供色板可以定制

Offer customers special color palette can be customized

序号 No.	订货号 Order No.	颜色 Color	作用 Role	容量 Capacity
1	1100.120	银白锌 Silver Zinc	安装板修补 Mounting plate repair	450ml/罐 450ml/cans
2	1100.180	蓝白锌 Blue zinc	安装板修补 Mounting plate repair	
3	1100.316	不锈钢光亮 Stainless steel bright	不锈钢增亮 Stainless brightening	





宏艳电气  
JXHY1111.COM



宏艳电气  
JXHY1111.COM



材料: 尼龙6.6  
密封件: 丁腈橡胶  
防护等级: IP68  
供货颜色: 灰色、黑色

Material: Nylon 6.6  
Sealing strip: NBR  
Protection grade: IP68  
Supply color: grey & black



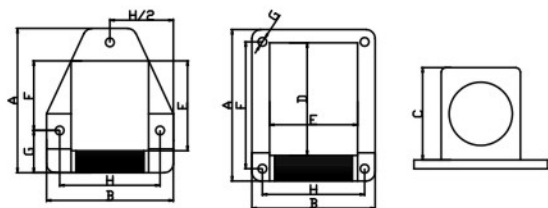
材料: 黄铜镀镍  
夹紧件: 尼龙 (pa)  
密封件材料: 丁腈橡胶  
温度范围: -40°C到+100°C  
短时可达+120°C  
防护等级: IP68

Material: Nickel plated brass  
Clamping: Nylon (pa)  
Sealing strip material: NBR  
Temperature range: -40°C to +100°C  
The instant temperature can reach +120°C.  
Protection grade: IP68

### 防水接头 Waterproof connector

序号 No.	订货号 Order No.			螺纹规格 Thread Size	直径 Diameter D	开孔尺寸 Hole Size AG	扳手 Wrench AW	外高 high H	内高 In high GL
	塑料 Plastic 灰 gray	塑料 Plastic 蓝 Blue	金属 Metal						
1	2411.676	2411.776	2411.876	PG7	3-6.5	13	14	10	5
2	2411.677	2411.777	2411.877	PG9	4-8	15.7	17	10	6
3	2411.678	2411.778	2411.878	PG11	5-10	19.1	20	10	6
4	2411.679	2411.779	2411.879	PG13.5	6-12	20.9	22	10	6.5
5	2411.680	2411.780	2411.880	PG16	10-14	23	24	10	6.5
6	2411.681	2411.781	2411.881	PG21	13-18	28.8	30	12	7
7	2411.682	2411.782	2411.882	PG29	18-25	37.5	40	12	8
8	2411.683	2411.783	2411.883	PG36	22-32	47.5	50	15	8
9	2411.684	2411.784	2411.884	PG42	30-38	54.5	57	15	9
10	2411.685	2411.785	2411.885	PG48	34-44	59.8	65	15	10
11	2411.686	2411.786	2411.886	PG63	42-54	72.5	77	15	10
12	2411.600	2411.700	2411.800	M12×1.25	3-7.6	12.5	14	19	5
13	2411.610	2411.710	2411.810	M16×1.5	6-10	16.5	20	21	6
14	2411.620	2411.720	2411.820	M20×1.5	9-14	20.5	24	23	6.5
15	2411.630	2411.730	2411.830	M25×1.5	13-18	25.5	30	25	7
16	2411.640	2411.740	2411.840	M32×1.5	18-25	32.5	40	29	8
17	2411.650	2411.750	2411.850	M40×1.5	24-30	40.5	50	35	8
18	2411.660	2411.760	2411.860	M50×1.5	30-39	50.5	57	37	9
19	2411.670	2411.770	2411.870	M63×1.5	39-48.5	63.5	68	38	10
20	2411.671	2411.771	2411.871	3/8 NPT	2-6	17.4	19	22	15
21	2411.672	2411.772	2411.872	1/2 NPT	6-12	21.6	24	27	13
22	2411.673	2411.773	2411.873	3/4 NPT	13-18	26.9	33	31	14
23	2411.674	2411.774	2411.874	1 NPT	18-25	33.7	42	39	19
24	2411.675	2411.775	2411.875	1-1/2 NPT	22-32	42.4	53	48	20

### 法兰盘底座管接头



序号No.	订货号Order No.	规格Size	A	B	C	D	E	F	G	H	Φ (mm)
1	2600.001	PG 16	49	47	35	22	27	29.5	15	37	4
2	2600.002	PG 21	69	65	44	30	31	42	21	52	6
3	2600.003	PG 29	90	78	55	40	65	62	9	65	6
4	2600.004	PG 36	100	94	66	48	68	68	10	80	6
5	2600.005	PG 48	116	101	76	63	85	85	12	88	6

### 公制快速软管接头

#### 技术参数:

材料: PA6  
环境温度: -40°C ~ +105°C, 短期120°C  
阻燃, 低烟  
防护等级: IP67(带O型密封圈)  
配软管终端密封套  
符合RoHs指令  
颜色: 灰色, 黑色。

#### Technical Data:

Material: PA6  
Temperature range: -40°C ~ +105°C, short-term up to 120°C  
Self-extinguishing  
IP rating: IP67 (with O stal)  
Command (RoHs) satisfy  
Color: grey, black

### 公制夹紧式软管接头

#### 技术参数:

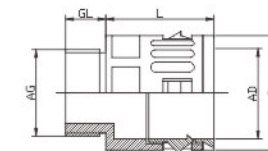
材料: PA6  
环境温度: -40°C ~ +105°C, 短期120°C  
阻燃等级: V0 (UL94)  
防护等级: IP68  
符合RoHs指令  
颜色: 灰色, 黑色。

#### Technical Data:

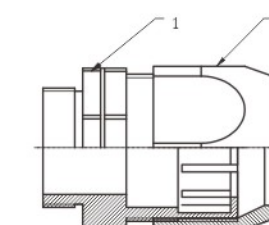
Material: PA6  
Temperature range: -40°C ~ +105°C, short-term up to 120°C  
Self-extinguishing: V0 (UL94)  
IP rating: IP68  
Command (RoHs) satisfy  
Color: grey, black

### 公制软管接头

序号 No.	订货号 Order No.		螺纹制式	螺纹长度	接头长度	接头通径	扳手尺寸
	快速	夹紧式					
1	2300.071	2300.171	M12×1.5	8	34.5	6.0	15.5
2	2300.072	2300.172	M16×1.5	8	36.5	10.0	18.0
3	2300.073	2300.173	M18×1.5	8	39.5	12.0	21.0
4	2300.074	2300.174	M20×1.5	10	42.0	14.5	24.0
5	2300.075	2300.175	M22×1.5	10	45.0	17.0	27.0
6	2300.076	2300.176	M24×1.5	10	45.0	17.0	27.0
7	2300.077	2300.177	M25×1.5	11	45.0	17.0	27.0
8	2300.078	2300.178	M32×1.5	11	47.0	23.5	34.0
9	2300.079	2300.179	M40×1.5	11	54.0	33.0	50.0
10	2300.080	2300.180	M50×1.5	13	54.0	36.5	50.0
11	2300.081	2300.181	M63×1.5	14	55.0	48.0	60.0



公制快速软管接头



公制夹紧式软管接头



### 堵塞 Blockage 塑料 Plastic

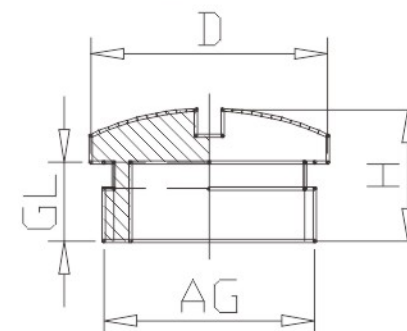


#### 技术参数:

材料: 尼龙塑料  
环境温度: -40°C ~ +105°C  
颜色: 黑色

#### Technical Data:

Material: PA  
Temperature range: -40°C ~ +105°C  
Color: black



序号 No.	订货号 Order No.	规格 Specifications	内高 In high GL	外高 high H	直径 Diameter D
1	2411.500	PG7	6	8	
2	2411.501	PG9	6	9	
3	2411.502	PG11	6	9	
4	2411.503	PG13.5	6	9.5	
5	2411.504	PG16	6	9.5	
6	2411.505	PG21	8	11	
7	2411.506	PG29	8	12	
8	2411.507	PG36	10	15	
9	2411.508	PG42	10	16	
10	2411.509	PG48	12	16	
11	2411.510	M12×1.5	6	10	
12	2411.511	M16×1.5	7	11.5	
13	2411.512	M20×1.5	6	9.5	
14	2411.513	M25×1.5	11	15.5	
15	2411.514	M32×1.5	11	16	
16	2411.515	M40×1.5	13	18	
17	2411.516	M50×1.5	13	18.5	
18	2411.517	M63×1.5	15	19	



宏艳电气  
JXHY1111.COM



小锁 MS813  
Small lock MS813

用于紧凑型控制机柜AE  
材料：  
压铸锌件。

形式 Model	订货号 Order No.
颜色RAL7035	1134.100
颜色RAL7032	1134.000
镀镍(亚光)	1134.500



不锈钢锁 MS705  
SUS lock MS705

材质：不锈钢基座，锁芯，螺母，螺钉，钢柱  
结构说明：锁芯旋转90度，实现开启或锁闭  
备注：锁芯有三种选配

形式 Model	订货号 Order No.
不锈钢	1105.100



平板锁 MS821  
Rain lock MS821

产品描述：  
材质及表面处理：镀亮光铬锌合金锁芯，锌合金传动壳，ABS面板（黄灰），镀白锌碳钢钢柱、传动条。  
材质：  
锌合金锁芯、传动壳，ABS面板（黄灰），碳钢钢柱传动条  
表面处理：  
镀亮光铬锁芯，镀白锌钢柱、传动壳组件  
结构说明：  
手柄90° 旋转带动传动壳组件实现开启或锁闭  
备注：  
选配K15-1钥匙

形式 Model	订货号 Order No.
7032	1121.032
7035	1121.035



防雨锁 MS830  
Rain lock MS830

手柄向前翻起，通过转动开锁。  
材料：  
锌压铸件  
表面：  
涂上粉末层

形式 Model	订货号 Order No.
颜色 RAL 7032 带黑色手柄	1150.000
黑色	1151.000
镀镍亚光	1152.000
颜色RAL 7032	1154.000
颜色RAL 7035	1135.000
RAL 7032 <sup>1)</sup> 带黑色手柄和连接片 <sup>1)</sup> 孔径=7mm	1155.000
用于挂锁	



控制箱柜钥匙  
Control box key

用于平板锁，防水锁，小方锁。

形式 Model	订货号 Order No.
双齿号 5	1131.000
7mm 三角形	1145.000
8mm 三角形	1146.000
7mm 四方形	1147.000
8mm 四方形	1148.000



脚轮  
Casters

用于机柜移动

订货号 Order No.	1100.113
------------------	----------



可调支脚  
Adjustable feet

用于机柜落地平稳

形式 Model	订货号 Order No.
M10	1100.110
M12	1100.112



AE门限位器  
AE door restrictors

用于限制门的打开角度

订货号 Order No.	1100.111
------------------	----------

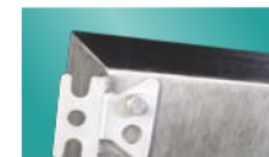


PS/ES门限位器  
PS/ES door restrictors

用于限制门的打开角度



宏艳电气  
JXHY1111.COM



壁挂件  
Wall mounting parts

用于固定KL、EB、BG、AE箱体  
供应范围：  
包括用于安装在箱体的安装固定件。  
备注：  
出于保护类型和卫生学的原因特种钢制成的箱体不得有用于墙壁固定支架的孔。

材料 Material	墙壁距离 The wall distance	每包 Package	订货号 Order No.
钢板 镀锌的 镀铬的	10	4个	1108.010
不锈钢	10	4个	1133.000



门托架  
Door bracket

用于防上门板下坠

颜色 Color	订货号 Order No.
黑色	1100.115
白色	1100.116



接地带  
Grounding belt

铜镀锡件，在不同长度和横截面上带有压紧的接触衬套。  
在高频时平板地线对表面效应起反作用，并且同时提供高弹接线的可能性。

用于 Used in	长度 Length	订货号 Order No.
M6	200	1112.210
M8	200	1112.216
M6	300	1112.310
M8	300	1112.316



130度铰链  
TE luxury control cabinet series

材质：  
锌合金铰链

订货号 Order No.	1100.117
------------------	----------



托架式台面  
Bracket-style table

序号 No.	订货号 Order No.	宽度 Width	深度 Depth	适用于门宽度 Applicable to door width (mm)	材料 Material	颜色 Color
MX1	TM600	413	400	600	冷轧钢板 Cold-rolled steel sheet	RAL7035
MX2	TM800	613	400	800		RAL7035
MX3	TM100	813	400	1000		RAL7035



PS/ES分隔板  
PS/ES divider

序号 No.	订货号 Order No.	箱体高度 Cabinet Width	箱体深度 Cabinet Depth
1	FGB160400	1600	400
2	FGB160500	1600	500
3	FGB180400	1800	400
4	FGB180500	1800	500
5	FGB180600	1800	600
6	FGB250400	2000	400
7	FGB200500	2000	500
8	FGB200600	2000	600
9	FGB200800	2000	800
10	FGB220500	2200	500
11	FGB220600	2200	600
12	FGB220800	2200	800



宏艳电气  
JXHY1111.COM



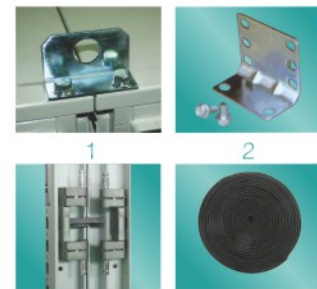
### AE门板走线条 AE door plate lines

序号 No.	订货号 Order No.	箱门宽度 Width of box door (mm)	材料 Material	厚度 Thickness (mm)	备注 Remarks
1	AE200	200	镀锌 钢板 Galvanized steel sheet	1.5	2根/包 2 pcs/ pack
2	AE300	300		1.5	
3	AE380	380		1.5	
4	AE400	400		1.5	
5	AE500	500		1.5	
6	AE600	600		1.5	
7	AE800	800		1.5	
8	AE1000	1000		1.5	



### PS/ES门板走线条 PS/ES door plate lines

序号 No.	订货号 Order No.	箱门宽度 Width of box door (mm)	材料 Material	厚度 Thickness (mm)	备注 Remarks
MX1	MZ600	600	镀锌 钢板 Galvanized steel sheet	1.5	2根/包 2 pcs/ pack
MX2	MZ800	800		1.5	
MX3	MZ1000	1000		1.5	
MX4	MZ1200	1200		1.5	
MX5	MZ500	500		1.5	



### PS并柜件 PS combined cabinet parts

序号 No.	订货号 Order No.	备注 Remarks
1	BGJ01	2件/包 / 2 pcs/pack
2	4582000-1	4件/包 / 4 pcs/pack
3	BGJ03	6件/包 / 6 pcs/pack
4	BGJ04	10米/包 / 10 pcs/pack



### 并柜补板 Combined cabinet collar plate

序号 No.	订货号 Order No.	柜体高度 Height of box (mm)	材料 Material	厚度 Thickness (mm)	备注 Remarks
1	BPE1600	1600	镀锌 钢板 Galvanized steel sheet	2.5	1根/包 1 pcs/ pack
2	BPE1800	1800		2.5	
3	BPE2000	2000		2.5	
4	BPE2200	2200		2.5	



### PS/ES立柱 PS/ES column

序号 No.	订货号 Order No.	柜体高度 Height of box (mm)	材料 Material	厚度 Thickness (mm)	备注 Remarks
1	LZ1600	1600	镀锌 钢板 Galvanized steel sheet	2.5	2根/包 2 pcs/ pack
2	LZ1800	1800		2.5	
3	LZ2000	2000		2.5	
4	LZ2200	2200		2.5	



宏艳电气  
JXHY1111.COM



### PS/ES横梁 PS/ES beam

序号 No.	订货号 Order No.	柜体宽度 Width of box (mm)	材料 Material	厚度 Thickness (mm)	备注 Remarks
1	HL600	600	镀锌 钢板 Galvanized steel sheet	1.5	2根/包 2 pcs/ pack
2	HL800	800		1.5	
3	HL1000	1000		1.5	
4	HL1200	1200		1.5	



### PS/ES纵梁 PS/ES longeron

序号 No.	订货号 Order No.	柜体深度 Depth of box (mm)	材料 Material	厚度 Thickness (mm)	备注 Remarks
1	ZL400	400	镀锌 钢板 Galvanized steel sheet	1.5	2根/包 2 pcs/ pack
2	ZL500	500		1.5	
3	ZL600	600		1.5	
4	ZL800	800		1.5	
5	ZL1000	1000		1.5	
6	ZL1200	1200		1.5	



### 文件袋 Document bag

序号 No.	订货号 Order No.	颜色 Color	材料 Material
1	WJD-A420	RAL2000	塑料 Plastics
2	WJD-A405	RAL7032	冷轧钢板 Cold-rolled steel sheet
3	WJD-A305	RAL7035	

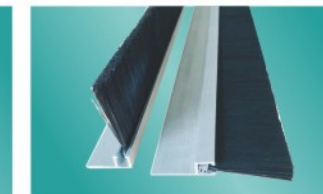


### 电缆导入套管

序号 No.	订货号 Order No.	最大直径 mm	每包	每个套管的电缆
1	4316.000	13	25个	8
2	4317.000	21	25个	3
3	4318.000	47	25个	1



高密度刷条 High-density brush bar



边沿护条 Edge sparring



### 插入螺母 Insert nuts

订货号 Order No.	数量 Number	备注 Remarks
CR1100.116	50个/包 50 PCS/pack	M6
CR1100.118	50个/包 50 PCS/pack	M8



### 卡簧螺母 M5/M6

482.6mm(19")安装设备和遮盖板可用插入螺母固定到固定型材482.6mm(19")上。用于型材板厚度为从0.8mm到2.0mm的范围。在小误差范围内，应该选用适用于型材板厚度为从1.2mm到1.5mm的插入螺母。可选择与482.6mm(19")型材/箱体有接触触点或无接触触点的安装设备。

形式	用于板厚mm	每包	订货号EL
带触点	0.8-2.0	50个	2094.500
无触点	0.8-2.0	50个	2092.500

形式	用于板厚mm	每包	订货号EL
带触点	0.8-2.0	50个	2094.200
无触点	0.8-2.0	50个	2092.200
带触点	1.2-1.5	50个	2094.300
无触点	1.2-1.5	50个	2092.300



## UE电缆引入板、调整板 UE系列、UF系列

认证 CE

材料: 薄钢板, 镀锌, 铬酸钝化

防护等级: IP55

## 引入板技术数据

型号	UE600	UE800	UE1000	UE1200
套管数量/箱柜	2×5个套管	2×8个套管	2×10个套管	2×12个套管
箱柜宽mm	600	800	800	1200

## 调整板技术数据

型号	UF600	UF800	UF1000	UF1000
A	600	800	1000	1200
B <sup>0</sup>	70	70	70	70
B <sup>90</sup>	52	52	52	52
C	27	27	27	27
D	17	17	17	17
E	6.2	6.2	6.2	6.2



## UZ角形电缆夹 UZ6-12-UZ46-50

认证 CC

材料: 薄钢板, 镀锌, 铬酸钝化

防护等级: IP55

利用塑料衬垫可将电缆固定在电缆夹钳轨上。

## 技术数据

型号	US6-12	US12-16	US14-18	US18-22	US22-26	US26-30
电缆直径mm	6-12	12-16	14-18	18-22	22-26	26-30

型号	US30-34	US34-38	US38-42	US42-46	US46-50
电缆直径mm	30-34	34-38	38-42	42-46	46-50

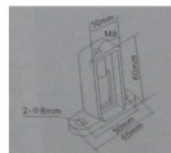


## JU-1三角铁固定件 JU-1

认证 CE

材料: 薄钢板, 镀锌, 铬酸钝化

防护等级: IP55

电缆夹钳轨用的镀锌三角铁  
40×40长度自选

## 顶盖固定螺钉 用螺钉固定顶板以取代运输吊环

订货号	螺纹	包装
4198.000	M12	20个/包



## 安装角轨, 482.6mm (19")

用于PS, ES

有两种形式:

有凹槽

前面集成式的U标记能够方便英制平面中的系统化安装。

L角

L型安装角轨能够容纳服务器系统的安装套件。前面集成式的U标记能够方便英制平面中的系统化安装。



## 技术说明:

2mm钢板, 带集成式482.6mm(19")孔 (EIA标准)

以及侧面圆孔和矩形孔。

镀铬, 用于英制安装设备的导电连接。

## 供应范围:

包括安装固定件。

完全扩装机架高度mm	U	每包	订货号DK	
			有凹槽	L角
600	11	2个	-	7827.061
800	15	2个	7827.080	7827.081
1000	20	2个	7827.100	7827.101
1200	24	2个	7827.120	7827.121
1400	29	2个	7827.140	7827.141
1600	33	2个	7827.160	7827.161
1800	38	2个	7827.180	7827.181
2000	42	2个	7827.200	7827.201
2200	47	2个	7827.220	7827.221



## 层板, 可拉出

特别适用于控制过滤器/加热器和热交换器, 也可以作为信号发生器用于监视控制柜内部温度。

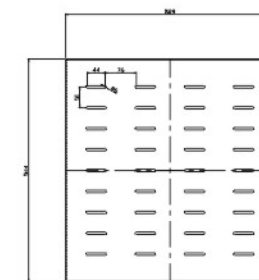
用于机柜		承载力	颜色 Color	型号 Order No.
宽度	深度			
19"	1000-1100	80kg	RAL 9005	7187.625
19"	1000-1100	80kg	RAL 7035	7187.655
19"	600	80kg	RAL 9005	7187.257
19"	600	80kg	RAL 7035	7187.238
19"	800	80kg	RAL 9005	7187.252
19"	800	80kg	RAL 7035	7187.231



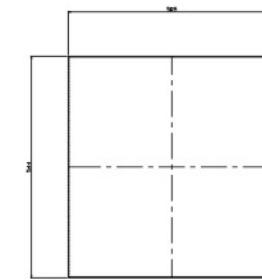
## 层板, 固定安装



用于机柜		承载力	颜色	型号
宽度	深度			
19"	1000-1100	80kg	RAL 9005	7187.627
19"	1000-1100	80kg	RAL 7035	7187.657
19"	1000-1100	120kg	RAL 9005	7187.626
19"	1000-1100	120kg	RAL 7035	7187.656
19"	600	80kg	RAL 9005	7187.258
19"	600	80kg	RAL 7035	7187.239
19"	800	80kg	RAL 9005	7187.253
19"	800	80kg	RAL 7035	7187.232



开孔层板



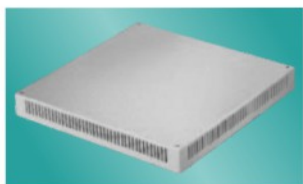
不开孔层板



宏艳电气  
JXHY1111.COM



宏艳电气  
JXHY1111.COM



### 通风顶板

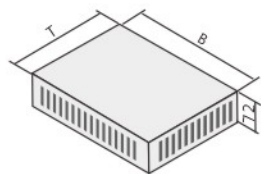
四周都有通风槽。

材料：  
钢板，涂漆

颜色：  
RAL 7035

防护等级：  
IP 2X

供应范围：  
包括安装固定件。



### 防雨顶盖

用于AE

对户外装置进行安全可靠的保护，后面带有排水槽。补装很方便。

供应范围：  
包括安装固定材料。

附件：  
冷凝液出口，  
压力平衡封闭塞，

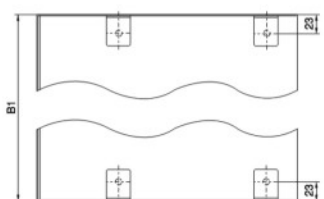
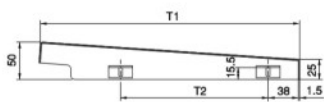
用于AE，钢板型

材料：  
钢板  
表面处理：  
粉末涂层，颜色RAL 7035，织纹

用于AE，不锈钢型

材料：  
不锈钢1.4301 (AISI 304)  
表面处理：  
拉丝、粒度240

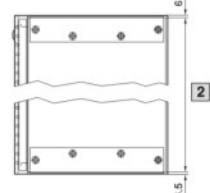
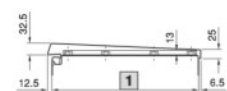
B1=箱体宽度+11mm  
T1=箱体深度+25mm  
T2=箱体深度-90mm  
从箱体宽度600mm  
-箱体深度115mm起



用于AE，通风型

优点：

- 通过箱内上方已有的孔安装
- 正面上方的内置孔用于排气装置



- 箱体深度
- 箱体宽度

型号DK		每包	订货号SV
宽度 (B) mm	深度 (T) mm		
600	600	1个	9660.235
	800	1个	9659.525
800	600	1个	9660.245
	800	1个	9659.535
1000	600	1个	9660.235
	800	1个	9659.545
1200	600	1个	9660.265
	800	1个	9659.555

备注：

对于户外装置，我们原则上建议在箱体上方、在门间缝隙的上方或是在采用螺钉固定的后壁板和箱体的上方安装防雨顶盖，用以防水和抗紫外线辐射。防水保护的防护等级IP(EN 60 529/09.2000的第2个数)所进行的检测与一个户外或类似条件下安置的机柜是不相同的。根据询价，也可为其其他机柜提供由钢板，不锈钢或铝制作的防雨顶盖。

用于机柜AE	型号SZ
1031.500, 1038.500, 1380.500	2501.500
1039.500, 1060.500, 1076.500	2502.500
1339.500, 1360.500, 1376.500	2511.500

用于机柜AE	型号SZ
1002.600, 1035.500	2470.000
1003.600, 1005.500, 1005.600.	
1033.500, 1034.500	2361.000
1004.600, 1030.500	2471.000
1006.500, 1006.600, 1008.600,	
1011.600, 1031.500, 1038.500,	2472.000
1380.500	
1007.600, 1050.500	2362.000
1009.600, 1010.500, 1010.600,	
1012.600, 1039.500, 1060.500,	2473.000
1076.500	
1014.600, 1073.500	2474.000
1016.600, 1017.600, 1055.500,	
1180.500, 1280.500.	2475.000
1018.600, 1019.500, 1018.600,	
1110.500, 1114.500, 1130.500,	2363.000
1213.500	

可替代使用：

卫生型设计的紧凑型控制箱

宽度 mm	深度 mm	订货号
600	300	5001.300
600	400	5001.310
800	300	5001.320
800	400	5001.330
1000	300	5001.340
1000	400	5001.350
1200	400	5001.360

材料：

钢板

表面处理：  
粉末涂层，颜色 RAL 7035，织纹



### PS/ES系列防雨顶罩

PS/ES Series rainproof top cover

序号 No.	订货号 Order No.	箱体宽度 Cabinet Width	箱体深度 Cabinet Depth
1	YPES600400	600	400
2	YPES800500	800	500
3	YPES600500	600	500
4	YPES800400	800	400
5	YPES100400	1000	400
6	YPES120400	1200	400
7	YPES100500	1000	500
8	YPES100600	1000	600
9	YPES800600	800	600
10	YPES600600	600	600
11	YPES100800	1000	800
12	YPES120600	1200	600
13	YPES120800	1200	800
14	YPES1200500	1200	500
15	YPES800800	800	800



### 顶装式风扇

用于PS/ES/PC

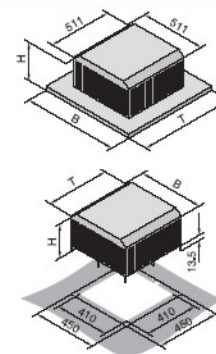
这一新型顶装式风扇理念在使用集成式风扇系统方面提供了性能、安装以及成本的优点。这种顶装式风扇在订购时可选择带顶板和不带顶板。它的另一个显著特点是在产生相对较低噪音水平的同时，能够提供很大的容积流量。

技术说明：

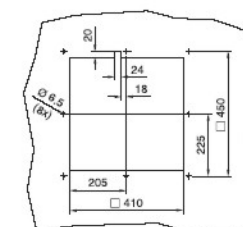
- 预装基于PS/ES/PC的顶板上。
- 安装简单，完全不需要进行安装开口的生产加工。

供应范围：

已完成布线连接，包括安装固定件。



安装开口  
只在没有顶板的风扇上有此要求

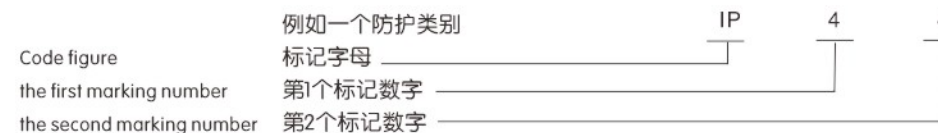


型号SK	3164.610	3164.620	3164.810	3164.820	3164.115	3164.230
额定工作电压, V, Hz	115,50/60	230,50/60	115,50/60	230,50/60	115,50/60	230,50/60
风扇气流量 (自由送风)	1500m <sup>3</sup> /h1)					
形式	带顶板			不带顶板		
尺寸mm	B	800	800	800	511	511
	H	240	240	240	227	227
	T	800	900	900	511	511
额定功率	68 W/81 W					
额定电流	0.6A/0.7A	0.3A/0.35A	0.6A/0.7A	0.3A/0.35A	0.6A/0.7A	0.3A/0.35A
星型风扇	-					
噪音电平	40dB(A)					
温度范围	+20°C至+55°C					
颜色	颜色RAL 7035					
附件						
在1U接插嵌板上的温度显示	7109.035					
温度显示器	3114.115	3114.100	3114.115	3114.100	3114.115	3114.100
温度调节器	3110.000					



IP防护等级标准  
Standard for IP protection level

IP防护类别是用2个数字标记的 Protection category for 2 number mark



接触保护和外来物保护等级 第1个标记数字		Contact protection and foreign object protection grade The first marking number	防水保护等级 第2个数字		Waterproof protection grade
第1个标记数字	防护范围 名称	说明 Description	第2个标记数字	防护范围 名称	说明 Description
0	无防护 Non protected	-	0	无防护 Non protected	-
1	防护50mm直径和更大的外来物体 Protect the foreign object of diameter 50mm and above.	探测器, 球体直径为50mm 不应完全进入* Detector, sphere diameter of 50mm shall not enter completely	1	水滴防护 Water drop protection	垂直落下的水滴不应引起损害。 The water drop falls off vertical shall not cause damage.
2	防护12.5mm直径和更大的外来物体 Protect the foreign object of diameter 12.5mm and above.	探测器, 球体直径为12.5mm 不应完全进入* Detector, sphere diameter of 12.5mm shall not enter completely	2	箱体倾斜15°时, 防护水滴。 Water drops are protected when cabinet tilts 15°.	箱体向任何一侧倾斜至15°角时, 垂直落下的水滴不应引起损害。 When the cabinet tilts 15° from to either side, water drop falls off vertically shall not cause damage
3	防护2.5mm直径和更大的外来物体 Protect the foreign object of diameter 2.5mm and above.	探测器, 球体直径为2.5mm 不应完全进入* Detector, sphere diameter of 2.5mm shall not enter completely	3	防护溅出的水 Protected against spray water	从60°角从垂直线两侧溅出的水不应引起损害。 Spilled water from 60° and two sides of vertical line shall not cause damage
4	防护1.0mm直径和更大的外来物体 Protect the foreign object of diameter 1.0mm and above.	探测器, 球体直径为1.0mm 不应完全进入* Detector, sphere diameter of 1.0mm shall not enter completely	4	防护喷水 Water spray protection	从每个方向对准箱体的射水都不应引起损害。 Water injecting from each direction aiming at cabinet shall not cause damage
5	防护灰尘 Dust protection	不可能完全阻止灰尘进入, 但是灰尘的进入是不应超过这样的数量, 即对装置或者安全造成损害。 Complete prevention of dust from entrance is impossible, but dust entered shall not exceed the quantity, it will cause damage to device or safety	5	防护射水 Water injection protection	从每个方向对准箱体的射水都不应引起损害。 Water injecting from each direction aiming at cabinet shall not cause damage
6	防尘密封 Dust sealing	箱体内部的20毫帕的低压时不应侵入灰尘。 The dust can not enter into cabinet with the low internal pressure of 20 mbar.	6	防护强射水 Powerful water jetting protecting	从每个方向对准箱体的强射水都不应引起损害。 Strong water jetting from each direction aiming at cabinet shall not cause damage.
			7	防护短时间浸入水中 Protection of short-term immersion in water	箱体在标准压力下短时间浸入水中时, 不应有能引起有害作用的水量浸入。 When cabinet is immersed in water under standar pressure, the quantity of water entered in shall not cause damage
			8	防护长期浸入水中 Protection of long-term immersion in water	箱体必须在由制造厂和用户协商定好的条件下长期浸入水中, 不应有能引起有害作用的水量浸入。但这些条件必须比标记数字7所规定的复杂。 Cabinet immersion in water in long term must meet conditions negotiated between manufacture and users, and the quantity of water entered shall not cause damage. But the conditions must be ore complicate than stipulation in marked clause7.